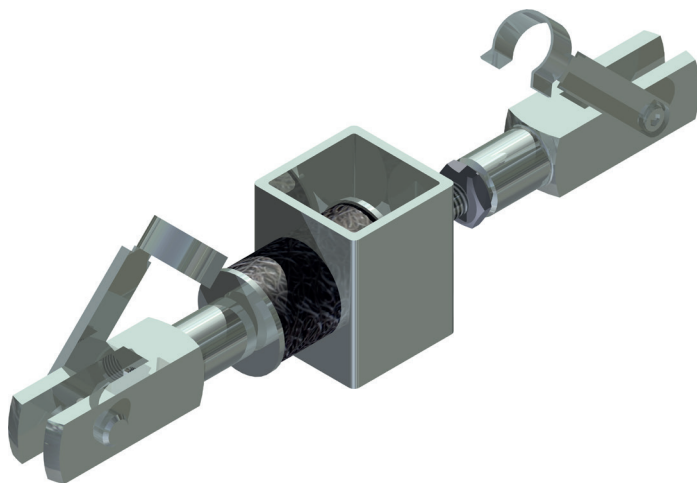


## Metallic Cushion Dampers

WG-AE 4010



**ONLINE**  
Calculation and  
2D / 3D CAD Download

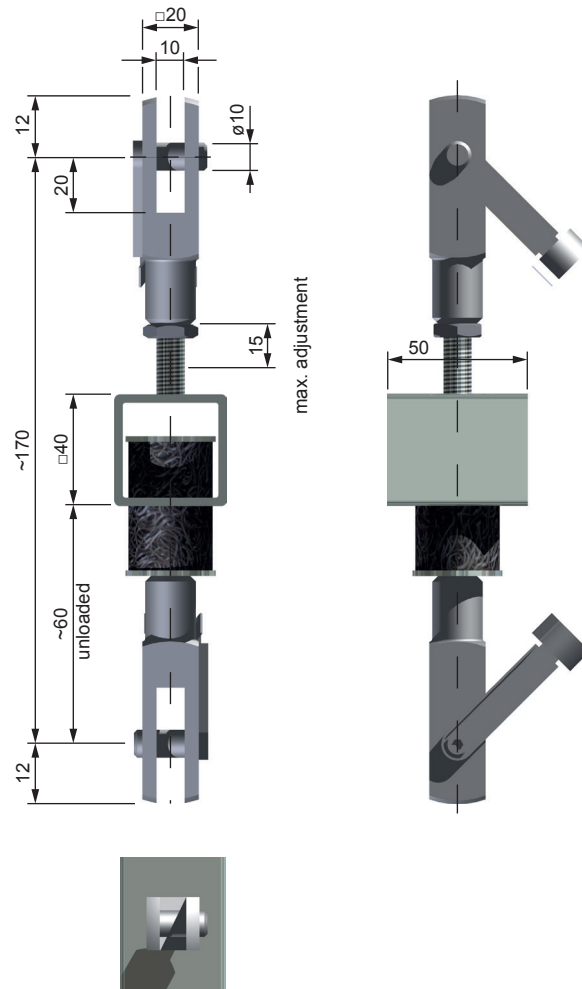


## Benefits

- Strain element and equipment: steel
- Resilient element: stainless steel wire
- Protection: Zink plated

## Applications:

- Transformers
- Ships: exhaust pipes



## DIMENSIONS

Typ	Natural frequency	static Load	Mass ca.
WG-AE 4010	15 - 20 Hz	100 - 750 N	0,5 kg

## Important Information

### Liability

Due to the number of possible uses of our products and the conditions of use that lie outside of our scope of influence, we accept no liability as to whether the purchase object is suitable for the Client's intended purpose. The verification to this effect, in particular the verification as to whether the purchase object is suitable for the planned use, is the responsibility of the Client alone, unless expressly agreed otherwise in writing.

For the reasons we accept no liability for the suitability of the purchase object for the purpose intended by the Client, except in cases of intent or gross negligence.

With damages, the not designated use and from high-handed, in these instructions do not originate to intended interventions, any guarantee and liability claim goes out towards the manufacturer.

### Guarantee

By non-use of the original spare parts the guarantee claim goes out.

### Environment protection

By the exchange from damaged parts is to be respected to a proper disposal.