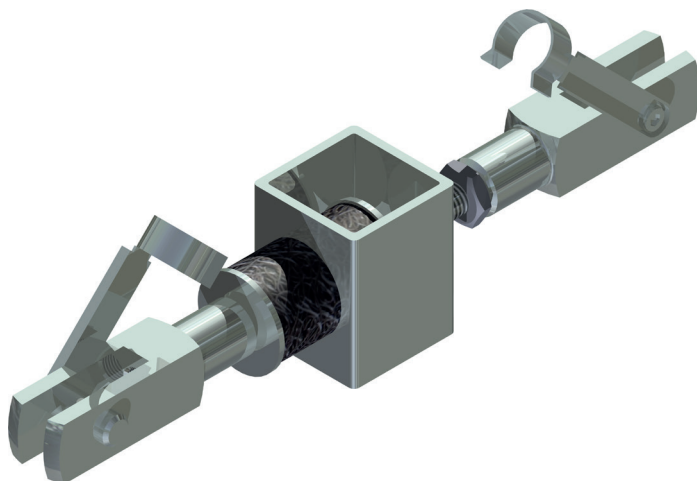


Metallic Cushion Dampers

WG-AE 6010 / 6030



ONLINE
Calculation and
2D / 3D CAD Download

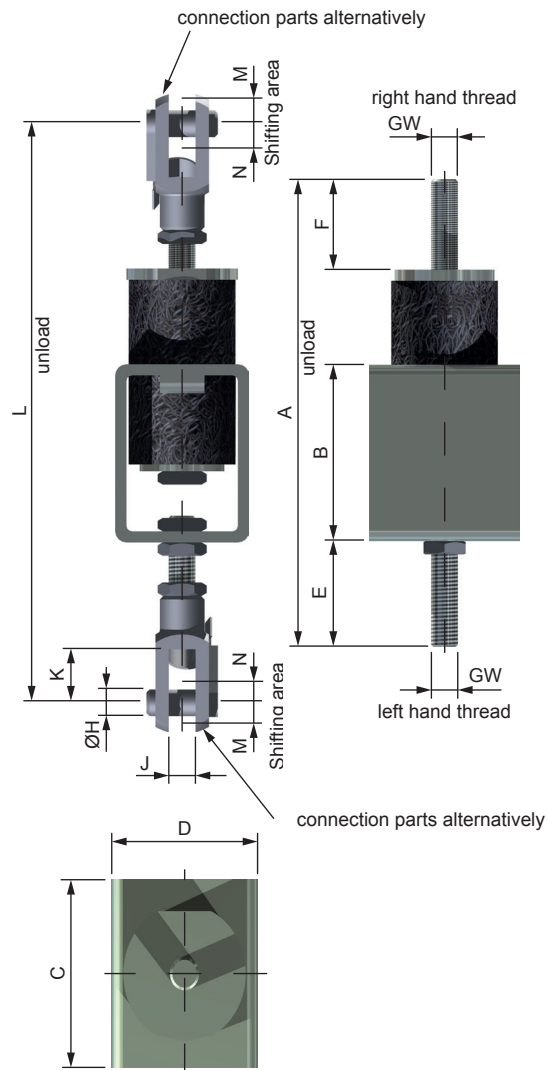


Benefits

- Strain element and equipment: steel
- Resilient element: stainless steel wire
- Protection: Zink plated

Applications:

- Transformers
- Ships: exhaust pipes



Mounting Accessories

- 1 Female rod clevis complete + 1 Lock nut clockwise
- 1 Female rod clevis complete + 1 Lock nut anti-clockwise

DIMENSIONS

Typ	Natural frequency	static Load	Mass ca.
WG-AE 6010	9 - 12 Hz	500 - 2500 N	1,4 kg
WG-AE 6030	12 - 18 Hz	500 - 5000 N	1,7 kg

DIMENSIONS

Typ	A	B	C	D	E	F	GW	ØH	J	K	L	M	N
	mm	mm	mm	mm	mm	mm		mm	mm	mm	mm	mm	mm
WG-AE 6010	212	80	68	60	48	41	M12	12	12	23	259	10	10
WG-AE 6030	246	80	68	60	63	59	M16	16	16	32	259	10	15

Important Information

Liability

Due to the number of possible uses of our products and the conditions of use that lie outside of our scope of influence, we accept no liability as to whether the purchase object is suitable for the Client's intended purpose. The verification to this effect, in particular the verification as to whether the purchase object is suitable for the planned use, is the responsibility of the Client alone, unless expressly agreed otherwise in writing.

For the reasons we accept no liability for the suitability of the purchase object for the purpose intended by the Client, except in cases of intent or gross negligence.

With damages, the not designated use and from high-handed, in these instructions do not originate to intended interventions, any guarantee and liability claim goes out towards the manufacturer.

Guarantee

By non-use of the original spare parts the guarantee claim goes out.

Environment protection

By the exchange from damaged parts is to be respected to a proper disposal.