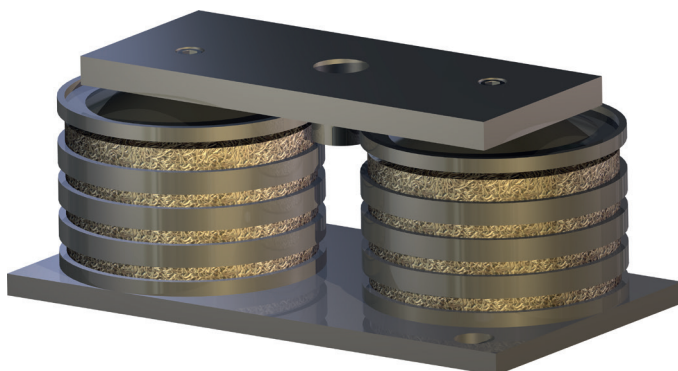


Metallic Cushion Dampers

WG-DL



ONLINE
Calculation and
2D / 3D CAD Download

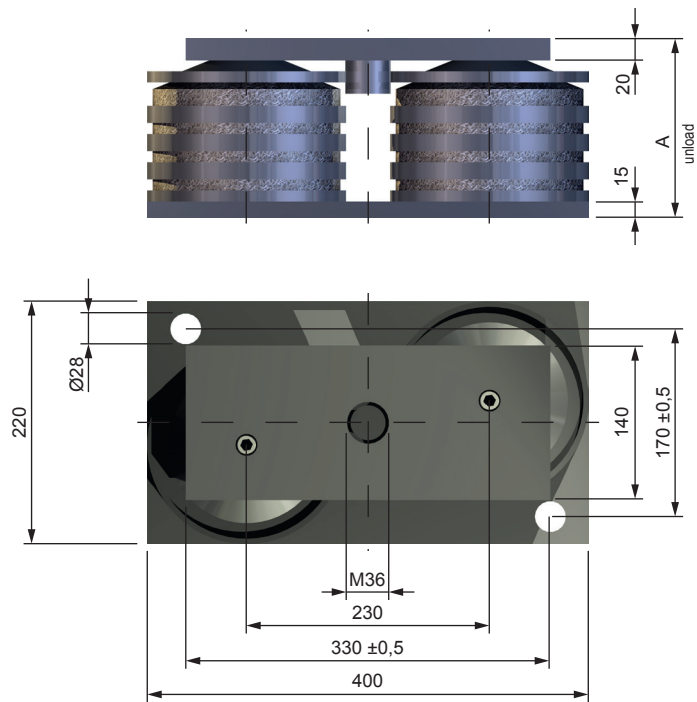


Benefits

- Base plate and cover plate: steel
- Cushion plates: cast iron
- Resilient element fabricated from stainless steel wire
- Reduced natural frequency when multiple cushions are stacked
- The arrangement and form of the whole resilient elements in the damper allowed the admission of horizontal forces
- Surface protection: painted

Applications:

- Machine Tool
- Pipelines
- Presses



DIMENSIONS

Typ	Natural frequency	static Load	max. dyn. Loading	A mm
WG-DL 40010	15 - 20 Hz	5 - 140 kN	450 kN	89
WG-DL 40020	13 - 18 Hz	5 - 140 kN	450 kN	124
WG-DL 40030	11 - 16 Hz	5 - 140 kN	450 kN	154
WG-DL 40040	9 - 14 Hz	5 - 140 kN	450 kN	184

Important Information

Liability

Due to the number of possible uses of our products and the conditions of use that lie outside of our scope of influence, we accept no liability as to whether the purchase object is suitable for the Client's intended purpose. The verification to this effect, in particular the verification as to whether the purchase object is suitable for the planned use, is the responsibility of the Client alone, unless expressly agreed otherwise in writing.

For the reasons we accept no liability for the suitability of the purchase object for the purpose intended by the Client, except in cases of intent or gross negligence.

With damages, the not designated use and from high-handed, in these instructions do not originate to intended interventions, any guarantee and liability claim goes out towards the manufacturer.

Guarantee

By non-use of the original spare parts the guarantee claim goes out.

Environment protection

By the exchange from damaged parts is to be respected to a proper disposal.