

Metallic Cushion Dampers

WG-MB



ONLINE
Calculation +
2D / 3D CAD Download

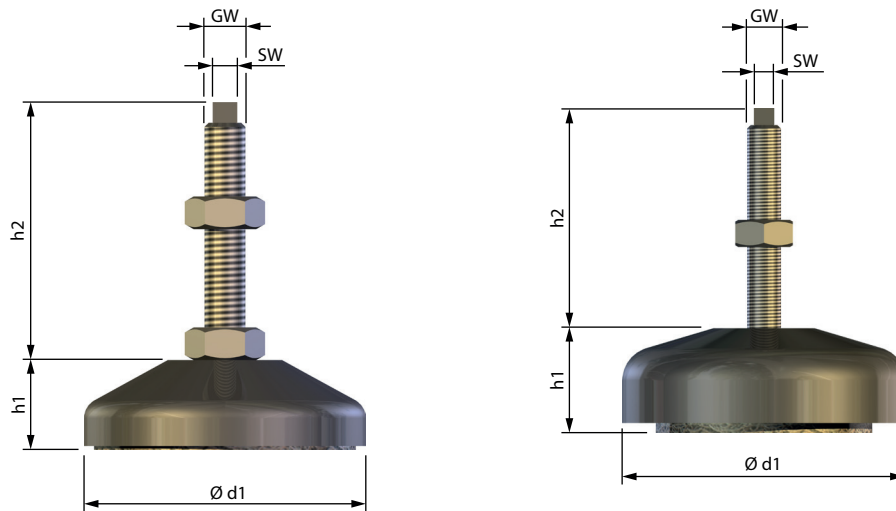


Benefits

- Resilient elements holder in malleable cast iron
- Resilient element fabricated from stainless steel wire
- Surface protection: painted
- For anti-skid purposes gripper disks Reference h1 d1 are available
- Dampers with natural frequency <15 Hz are available on inquiry

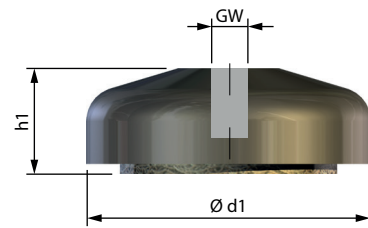
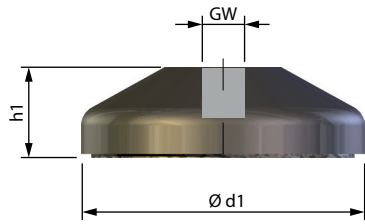
Applications:

- Machine Tool
- Shear blasting



DIMENSIONS

Type	h1 mm	d1 mm	GW	SW mm	h2 mm	Static load	natural frequency	Maximum dynamic load	weight
WG-MB 9510	38	95	M16	10	150	2,0 - 30 kN	25 - 30 Hz	70 kN	1,3 kg
WG-MB 9520	49	95	M16	10	150	0,5 - 9 kN	15 - 20 Hz	45 kN	1,3 kg
WG-MB 9530	38	95	M16	10	150	2,0 - 30 kN	35 - 40 Hz	70 kN	1,35 kg
WG-MB 14510	43	145	M20	12	200	5,0 - 35 kN	25 - 30 Hz	75 kN	3,2 kg
WG-MB 14520	54	145	M20	12	200	1,2 - 25 kN	15 - 20 Hz	60 kN	3,2 kg
WG-MB 19810	59	198	M24	14	200	15 - 45 kN	20 - 25 Hz	150 kN	6,2 kg
WG-MB 19820	68	198	M24	14	200	15 - 45 kN	15 - 20 Hz	150 kN	6,2 kg

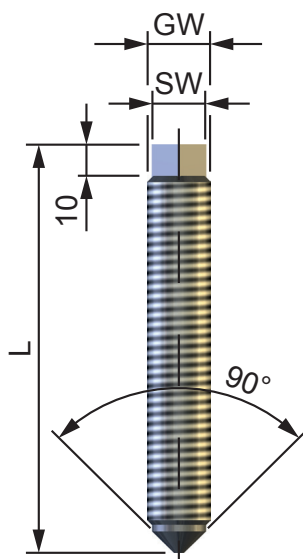


DIMENSIONS

Type	h1 mm	d1 mm	GW	Static load	natural frequency	Maximum dynamic load	weight
WG-MB 6910	21	69	M12	0,5 - 2,5 kN	25 - 30 Hz	12,5 kN	0,25 kg
WG-MB 6920	25	69	M12	0,3 - 2,5 kN	15 - 20 Hz	12,5 kN	0,25 kg
WG-MB 6930	21	69	M12	0,5 - 2,5 kN	35 - 40 Hz	12,5 kN	0,25 kg
WG-MB 8010	21	80	M16	2,0 - 30 kN	25 - 30 Hz	70 kN	0,4 kg
WG-MB 8020	31	80	M16	0,5 - 9 kN	15 - 20 Hz	45 kN	0,42 kg
WG-MB 8030	20	80	M16	2,0 - 30 kN	35 - 40 Hz	70 kN	0,42 kg
WG-MB 13010	27	130	M20	5,0 - 35 kN	25 - 30 Hz	75 kN	1,3 kg
WG-MB 13020	37	130	M20	1,2 - 25 kN	15 - 20 Hz	60 kN	1,3 kg
WG-MB 13030	27	130	M20	5,0 - 35 kN	35 - 40 Hz	75 kN	1,3 kg
WG-MB 17010	34	170	M24	15 - 80 kN	20 - 25 Hz	150 kN	2,1 kg
WG-MB 17020	43	170	M24	15 - 45 kN	15 - 20 Hz	150 kN	2,1 kg

DIMENSIONS

Type	GW mm	SW mm	L mm
HVS 12-80	M12	9	80
HVS 12-100	M12	9	100
HVS 12-150	M12	9	150, Standard WG-MB6910
HVS 12-200	M12	9	200
HVS 16-100	M16	10	100
HVS 16-150	M16	10	150, Standard WG-MB8010
HVS 16-200	M16	10	200
HVS 16-250	M16	10	250
HVS 20-100	M20	12	100
HVS 20-150	M20	12	150
HVS 20-200	M20	12	200, Standard WG-MB13010
HVS 20-250	M20	12	250
HVS 24-100	M24	14	100
HVS 24-150	M24	14	150
HVS 24-200	M24	14	200, Standard WG-MB17010
HVS 24-250	M24	14	250



Important Information

Liability

Due to the number of possible uses of our products and the conditions of use that lie outside of our scope of influence, we accept no liability as to whether the purchase object is suitable for the Client's intended purpose. The verification to this effect, in particular the verification as to whether the purchase object is suitable for the planned use, is the responsibility of the Client alone, unless expressly agreed otherwise in writing.

For the reasons we accept no liability for the suitability of the purchase object for the purpose intended by the Client, except in cases of intent or gross negligence.

With damages, the not designated use and from high-handed, in these instructions do not originate to intended interventions, any guarantee and liability claim goes out towards the manufacturer.

Guarantee

By non-use of the original spare parts the guarantee claim goes out.

Environment protection

By the exchange from damaged parts is to be respected to a proper disposal.