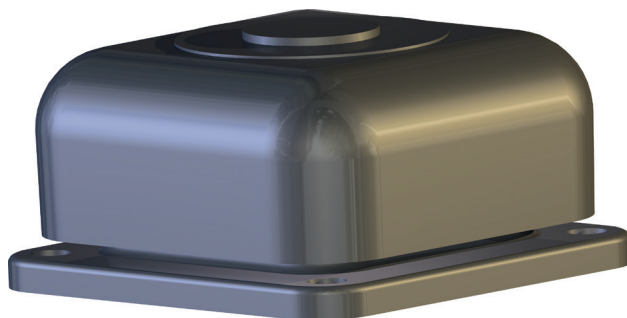


Metallic Cushion Dampers

WG-MD



ONLINE
Calculation and
2D / 3D CAD Download

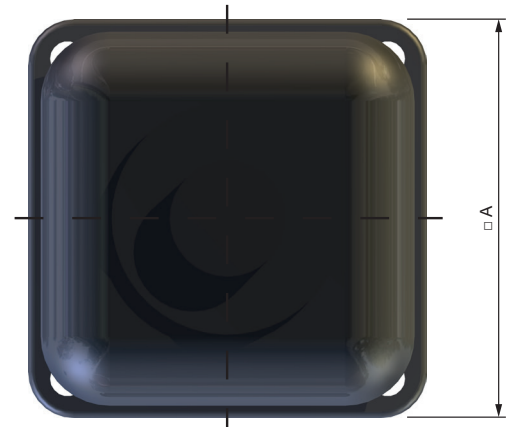
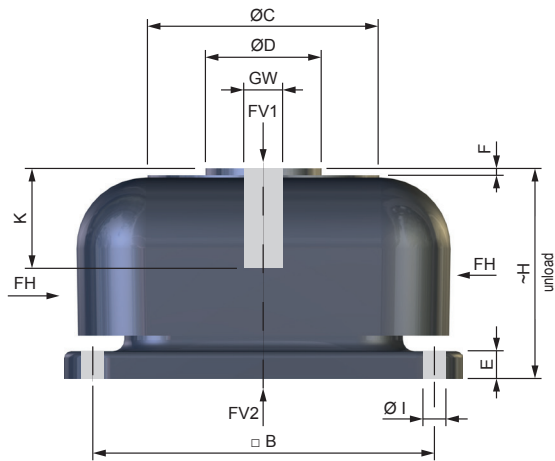


Benefits

- Top cup and base: iron
- The arrangement and form of the whole resilient elements in the damper allowed the admission of high horizontal forces and tractive powers
- Resilient element fabricated from stainless steel wire
- Surface protection: painted

Applications:

- Pipelines
- Motors



DIMENSIONS

Typ	Natural frequency	static Load			max. dyn. Loading			Mass ca.
		FV1	FV2	FH	FV1	FV2	FH	
WG-MD 17210	18 - 25 Hz	3,5 - 9 kN	9 kN	9 kN	45 kN	45 kN	45 kN	6,7 kg
WG-MD 17220	18 - 25 Hz	8 - 30 kN	9 kN	9 kN	150 kN	45 kN	45 kN	6,7 kg
WG-MD 26010	18 - 25 Hz	10 - 25 kN	25 kN	25 kN	125 kN	125 kN	125 kN	24,4 kg
WG-MD 26020	18 - 25 Hz	20 - 70 kN	25 kN	25 kN	350 kN	125 kN	125 kN	24,4 kg

DIMENSIONS

Typ	A	B	C	D	E	F	GW	H	I	K
Type	mm	mm	mm	mm	mm	mm		mm	mm	mm
WG-MD 17210 WG-MD 17220	172	138	100	50	12	5	M20	100	15	50
WG-MD 26010 WG-MD 26020	260	215	140	70	18	5	M30	132	23	59

Important Information

Liability

Due to the number of possible uses of our products and the conditions of use that lie outside of our scope of influence, we accept no liability as to whether the purchase object is suitable for the Client's intended purpose. The verification to this effect, in particular the verification as to whether the purchase object is suitable for the planned use, is the responsibility of the Client alone, unless expressly agreed otherwise in writing.

For the reasons we accept no liability for the suitability of the purchase object for the purpose intended by the Client, except in cases of intent or gross negligence.

With damages, the not designated use and from high-handed, in these instructions do not originate to intended interventions, any guarantee and liability claim goes out towards the manufacturer.

Guarantee

By non-use of the original spare parts the guarantee claim goes out.

Environment protection

By the exchange from damaged parts is to be respected to a proper disposal.