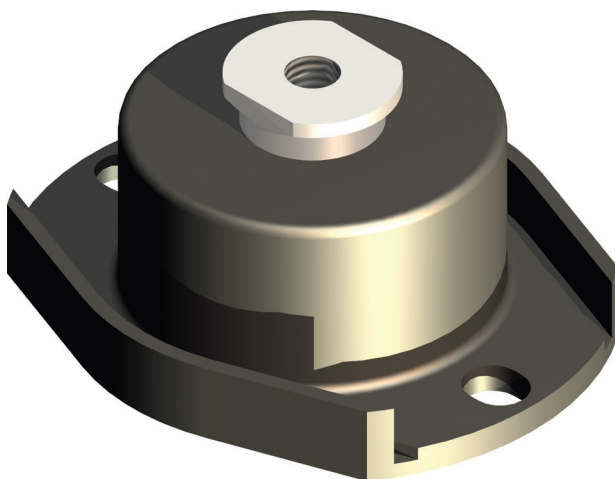


Metallic Cushion Dampers

WG-MF



ONLINE
Calculation and
2D / 3D CAD Download

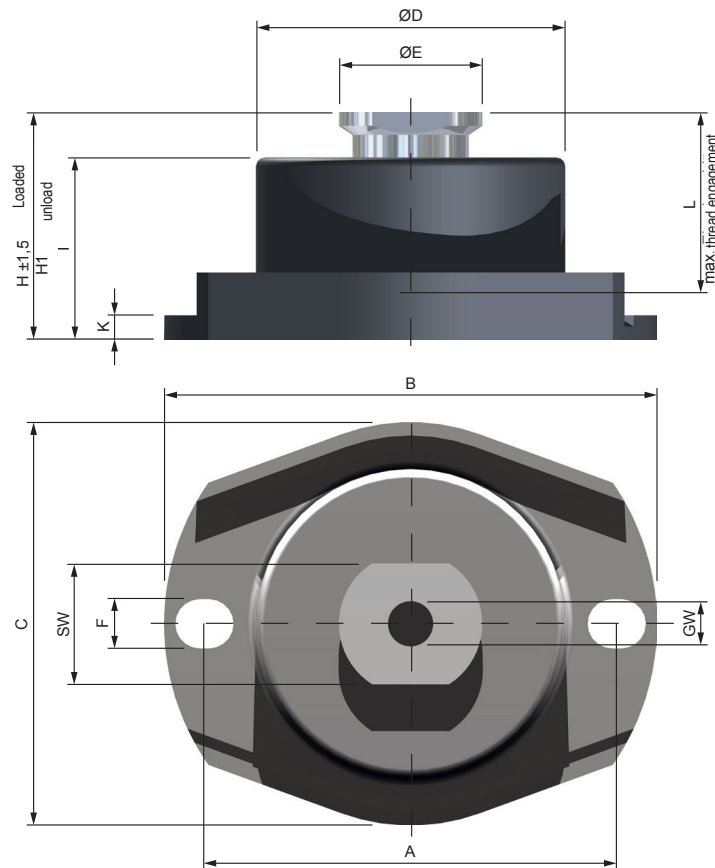


Benefits

- Top cup and base: iron
- Centre mounting stud – high strength aluminium alloy
- The arrangement and form of the whole resilient elements in the damper allowed the admission of high horizontal forces and tractive powers
- Resilient element fabricated from stainless steel wire
- Surface protection: painted

Applications:

- Machine Tool
- Mobile Systems
- Compressors
- Pumps
- Generators
- Mills
- Transformers
- Pipelines
- Motors



DIMENSIONS

Typ	Natural frequency	static Load	max. side. static Load	max. dyn. Loading	Mass ca.
WG-MF 11010	15 - 20 Hz	0,7 - 3 kN	1 g	9 kN	0,6 kg
WG-MF 11020	15 - 20 Hz	0,7 - 3 kN	3 g	9 kN	0,6 kg
WG-MF 11030	15 - 20 Hz	1,5 - 6,5 kN	1 g	19,5 kN	0,6 kg
WG-MF 11040	15 - 20 Hz	1,5 - 6,5 kN	3 g	19,5 kN	0,6 kg
WG-MF 15210	15 - 20 Hz	3,5 - 14 kN	1 g	42 kN	1,6 kg
WG-MF 15220	15 - 20 Hz	3,5 - 14 kN	3 g	42 kN	1,6 kg

DIMENSIONS

Typ	A	B	C	D	E	F	GW	H	H1	I	K	L	SW
	mm	mm	mm	mm	mm	mm		mm	mm	mm	mm	mm	mm
WG-MF 11010 bis WG-MF 11040	94	110	90	69	32	11	M12	50,5	54	40,5	5,5	47	27
WG-MF 15210 WG-MF 15220	126	152	124	96	50	15	M20	56	60	45	7	51	42

Important Information

Liability

Due to the number of possible uses of our products and the conditions of use that lie outside of our scope of influence, we accept no liability as to whether the purchase object is suitable for the Client's intended purpose. The verification to this effect, in particular the verification as to whether the purchase object is suitable for the planned use, is the responsibility of the Client alone, unless expressly agreed otherwise in writing.

For the reasons we accept no liability for the suitability of the purchase object for the purpose intended by the Client, except in cases of intent or gross negligence.

With damages, the not designated use and from high-handed, in these instructions do not originate to intended interventions, any guarantee and liability claim goes out towards the manufacturer.

Guarantee

By non-use of the original spare parts the guarantee claim goes out.

Environment protection

By the exchange from damaged parts is to be respected to a proper disposal.