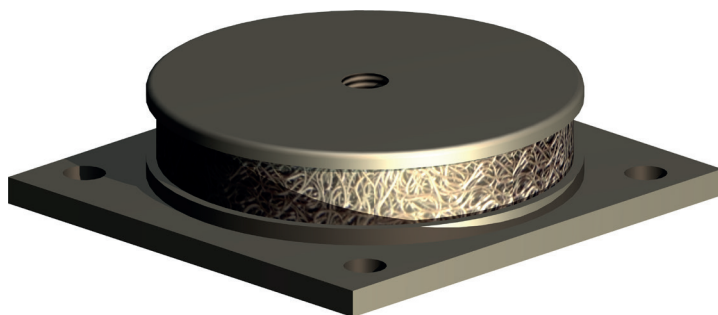


## Metallic Cushion Dampers

WG-MP



**ONLINE**  
Calculation and  
2D / 3D CAD Download

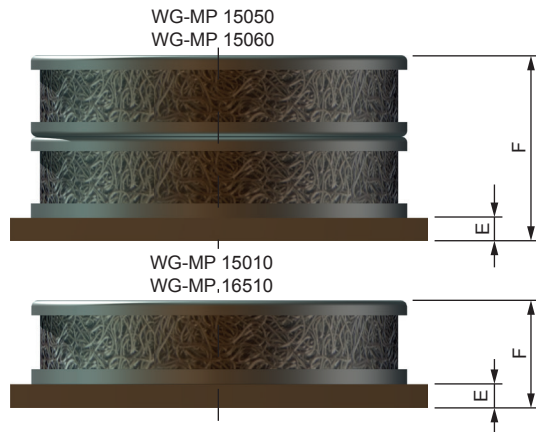


## Benefits

- Top cup and base: steel
- Resilient element: stainless steel wire
- Surface protection: painted
- Mountings with 2 cushions with low resonant frequency

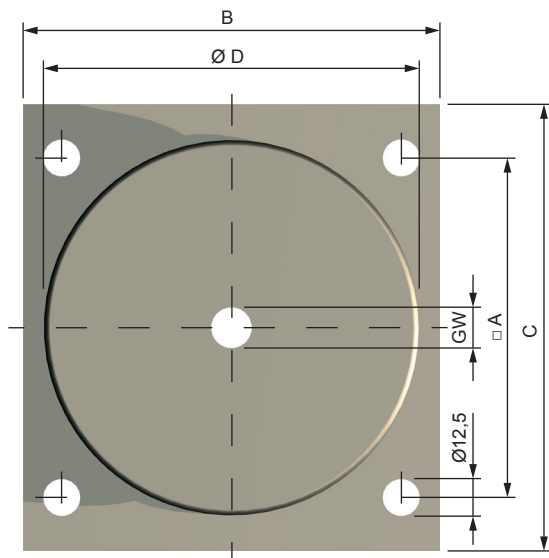
## Applications:

- Machine Tool
- Transformers



## DIMENSIONS

Type	natural frequency	Static load	Maximum dynamic load	weight
WG-MP 15010	15 - 20 Hz	1,2 - 25 kN	125 kN	2,3 kg
WG-MP 16510	15 - 20 Hz	2,5 - 70 kN	225 kN	3,5 kg
WG-MP 15050	15 - 18 Hz	10 - 25 kN	125 kN	4,5 kg
WG-MP 15060	15 - 18 Hz	20 - 70 kN	225 kN	7,0 kg



## DIMENSIONS

Typ	A	B	C	D	E	F	GW
	mm	mm	mm	mm	mm	mm	
WG-MP 15010 WG-MP 15050	114	140	150	126	8 16	36 70,5	M16
WG-MP 16510 WG-MP 15060	138	160	165	165,5	8 16	36 70,5	M20

## Important Information

### Liability

Due to the number of possible uses of our products and the conditions of use that lie outside of our scope of influence, we accept no liability as to whether the purchase object is suitable for the Client's intended purpose. The verification to this effect, in particular the verification as to whether the purchase object is suitable for the planned use, is the responsibility of the Client alone, unless expressly agreed otherwise in writing.

For the reasons we accept no liability for the suitability of the purchase object for the purpose intended by the Client, except in cases of intent or gross negligence.

With damages, the not designated use and from high-handed, in these instructions do not originate to intended interventions, any guarantee and liability claim goes out towards the manufacturer.

### Guarantee

By non-use of the original spare parts the guarantee claim goes out.

### Environment protection

By the exchange from damaged parts is to be respected to a proper disposal.