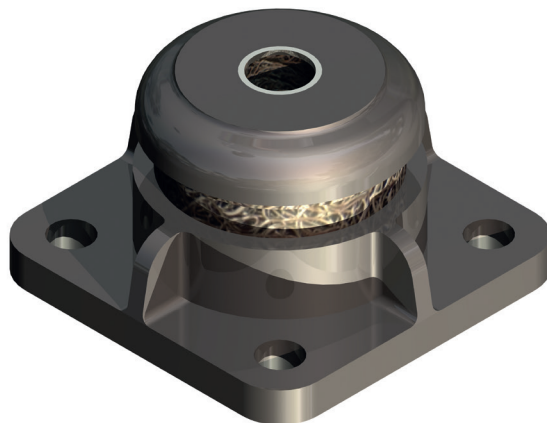


## Metallic Cushion Dampers

WG-VRD 9810



**ONLINE**  
Calculation and  
2D / 3D CAD Download

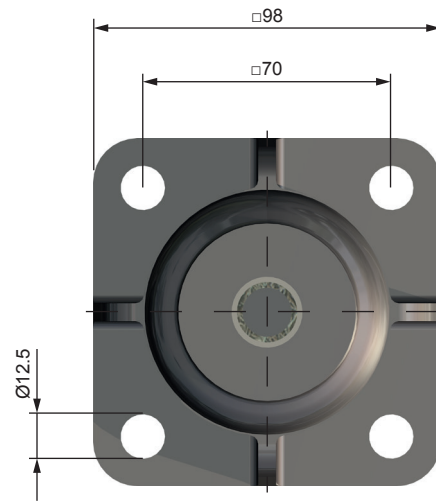
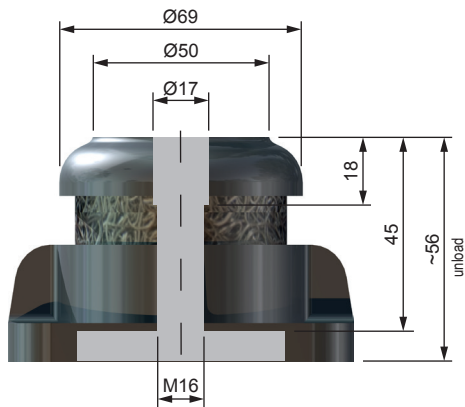


## Benefits

- Multi-directional damper
- Resilient elements holder and housing in malleable cast iron
- Centre mounting stud – high strength aluminium alloy
- Resilient element fabricated from stainless steel wire
- The arrangement and form of the whole resilient elements in the damper allowed the admission of horizontal forces
- Can be used in tension
- Surface protection: painted

## Applications:

- Machine Tool
- Mobile Systems
- Mills
- Transformers
- Pipelines
- Presses



## DIMENSIONS

Typ	Natural frequency	static Load	max. dyn. Loading	Weight ca.
WG-VRD 9810	15 - 20 Hz	0,3 - 9 kN	34 kN	0,85 kg

## Important Information

### Liability

Due to the number of possible uses of our products and the conditions of use that lie outside of our scope of influence, we accept no liability as to whether the purchase object is suitable for the Client's intended purpose. The verification to this effect, in particular the verification as to whether the purchase object is suitable for the planned use, is the responsibility of the Client alone, unless expressly agreed otherwise in writing.

For the reasons we accept no liability for the suitability of the purchase object for the purpose intended by the Client, except in cases of intent or gross negligence.

With damages, the not designated use and from high-handed, in these instructions do not originate to intended interventions, any guarantee and liability claim goes out towards the manufacturer.

### Guarantee

By non-use of the original spare parts the guarantee claim goes out.

### Environment protection

By the exchange from damaged parts is to be respected to a proper disposal.