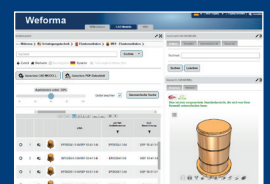


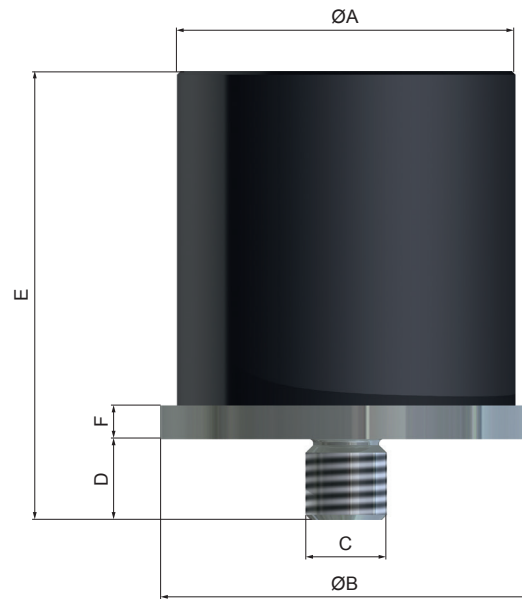
PUR Miniature Buffers

WMB-40



ONLINE
2D / 3D CAD Download

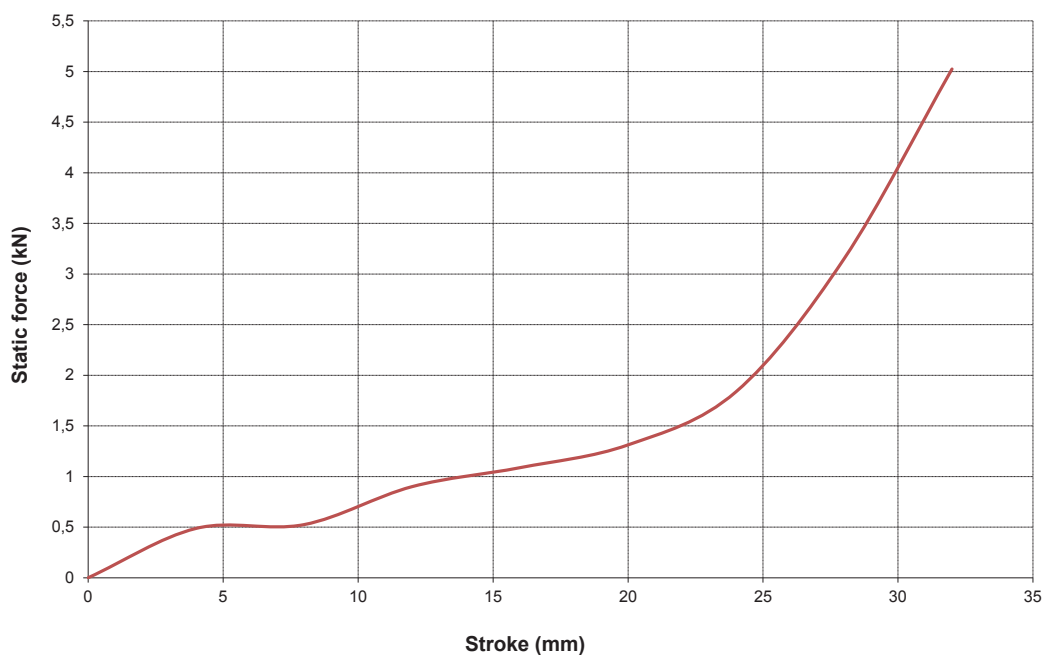




DIMENSIONS

	max. Deflection mm	Energy absorption		øA mm	øB mm	C mm	D mm	E mm	F mm
		Constant load Nm	Emergency Nm						
		WMB-40-40-6	32						

DIAGRAM FOR STATIC LAYOUT



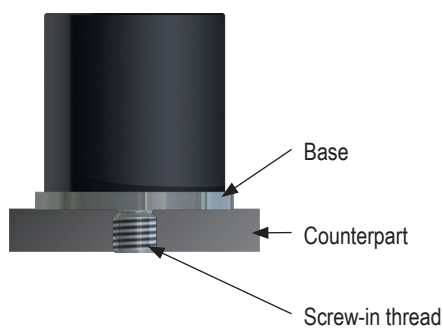
Benefits

Material	PUR, micro-cellular Base: steel, zinc plated
Load	Constant load: 85 Nm Emergency: 135 Nm
Temperature	-30°C to max. +80°C
Impact speed	max. 5 m/s
Long life time	Resistant to oil, grease, ozone, UV radiation, weathering and splash water
Applications	End stop of machines, Facilities

INSTALLATION

The entire diameter of the base must lie flat on the counterpart.

Recommendation: secure screw-in thread with a screw-locking adhesive.



Important Information

Liability

Due to the number of possible uses of our products and the conditions of use that lie outside of our scope of influence, we accept no liability as to whether the purchase object is suitable for the Client's intended purpose. The verification to this effect, in particular the verification as to whether the purchase object is suitable for the planned use, is the responsibility of the Client alone, unless expressly agreed otherwise in writing.

For the reasons we accept no liability for the suitability of the purchase object for the purpose intended by the Client, except in cases of intent or gross negligence.

With damages, the not designated use and from high-handed, in these instructions do not originate to intended interventions, any guarantee and liability claim goes out towards the manufacturer.

Guarantee

By non-use of the original spare parts the guarantee claim goes out.

Environment protection

By the exchange from damaged parts is to be respected to a proper disposal.