

## Compact Shock Absorbers

# WSK-M, WEK-M

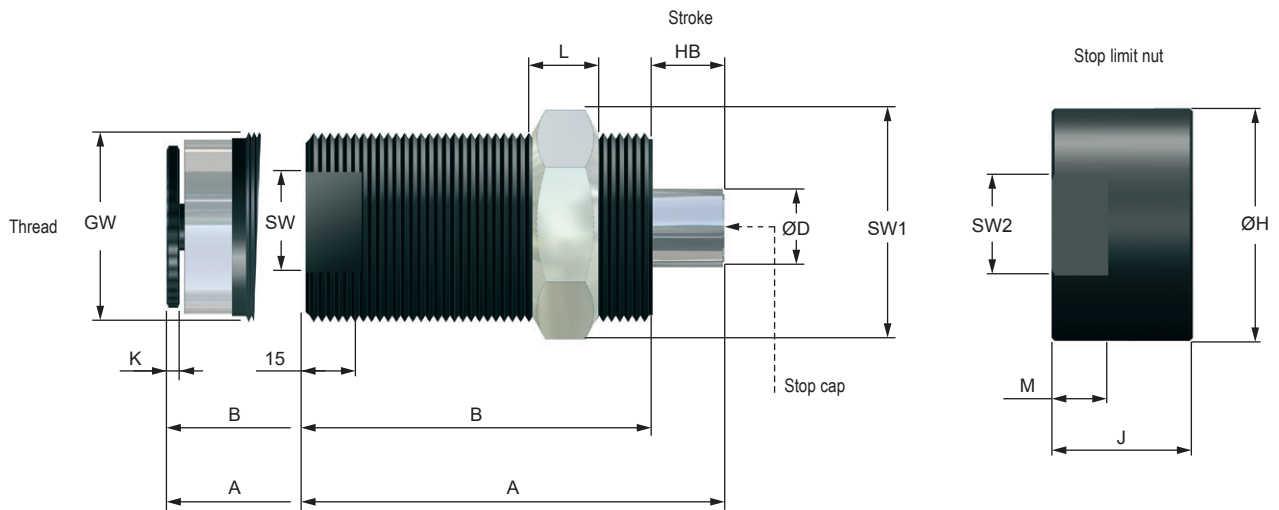


**Compact construction for limited installation space**

**High energy absorption up to 135.000 Nm/h**

ProSurf Long-life surface protection (p. 9)  
 Extended Life Time Special Seals + Oils  
 Piston rod: hardened stainless steel  
 Deceleration WSK-M: self-compensating  
 WEK-M: adjustable

Integrated End Stop  
 RoHS compliant Directive 2002/95/EG  
 Special models Stainless steel  
 Pressure chambers up to 7 bar  
 USDA-H1-compliant for food industry



## DIMENSIONS

Thread	A	B	ø D	ø H	J	L	SW	SW1	SW2	M	K	mm (inch)											
WSK-M 0,5	M 20 x 1,5	49 (1.93)	42 (1.65)	6 (0.24)	25 (0.98)	16 (0.63)	6 (0.24)	18 (0.71)	24 (0.94)	22 (0.87)	8 (0.31)	-											
WSK-M 1,0	M 25 x 1,5	58 (2.28)	50 (1.97)	8 (0.31)	34 (1.34)	18 (0.71)	8 (0.31)	23 (0.91)	30 (1.18)	30 (1.18)	10 (0.39)	-											
WEK-M 1,0G	M 27 x 1,5	72,5 (2.85)	56,2 (2.21)	6 (0.24)	40 (1.57)	20 (0.79)	8 (0.31)	-	30 (1.18)	36 (1.42)	10 (0.40)	2,6 (0.10)											
WSK-M 1,1	M 30 x 1,5	67 (2.64)	55 (2.17)	10 (0.39)	40 (1.57)	20 (0.79)	8 (0.31)	28 (1.1)	36 (1.42)	36 (1.42)	10 (0.39)	-											
WSK-M 1,25	M 32 x 1,5	67 (2.64)	55 (2.17)	10 (0.39)	40 (1.57)	25 (0.98)	8 (0.31)	30 (1.18)	41 (1.61)	36 (1.42)	10 (0.39)	-											

## PERFORMANCE

	Stroke mm (inch)	Energy absorption		Effective mass						Impact speed V max. m/s (V max. ft/s)	Return spring force		Weight g (lbs)
		Nm/HB (max.) (in lbs/HB (max.))	Nm/h (max.) (in lbs (max.))	-1 (soft)		-2 (medium)		-3 (hard)			min. N (min. lbs)	max. N (max. lbs)	
				min kg (min lbs)	max kg (max lbs)	min kg (min lbs)	max kg (max lbs)	min kg (min lbs)	max kg (max lbs)				
WSK-M 0,5	7 (0.28)	25 (220)	67500 (597130)	5 (11)	22 (48.5)	20 (44.1)	180 (396.8)	150 (330.7)	480 (1058.2)	3,5 (11.5)	11 (2.5)	18 (4.1)	65 (0.15)
WSK-M 1,0	8 (0.31)	40 (355)	68000 (601860)	8 (17.6)	36 (79.4)	33 (72.8)	280 (617.3)	250 (551.2)	750 (1653.5)	3,5 (11.5)	15 (3.4)	20 (4.5)	105 (0.23)
WEK-M 1,0G	12 (0.47)	65 (575)	65.000 (575298)	10 (22)	3250 (7165)	-	-	-	-	3,5 (11.5)	12 (2.70)	23 (5.17)	160 (0.35)
WSK-M 1,1	12 (0.47)	70 (620)	105000 (929335)	10 (22)	80 (176.4)	50 (110.2)	490 (1080.3)	460 (1014.1)	1500 (3307)	3,5 (11.5)	17 (3.8)	30 (6.8)	200 (0.44)
WSK-M 1,25	12 (0.47)	90 (800)	135000 (1194860)	15 (33)	120 (264.5)	85 (187.4)	690 (1521.2)	600 (1322.8)	1870 (4122.7)	3,5 (11.5)	17 (3.8)	30 (6.8)	270 (0.6)