

Speed Controls

WV-M



Speed rates: 0,015 - 40 m/min

ProSurf

Long-life surface protection (p. 9)

Adjustment

Variable

Extended Life Time

Special Seals + Oils

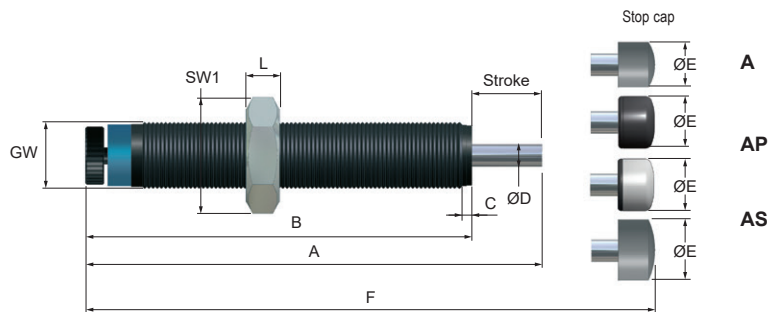
Piston rod: hardened stainless steel

Integrated End Stop

Flats

RoHS compliant

Directive 2002/95/EC



*A: Plastic / AP: Soft Touch / AS: Steel

DIMENSIONS

GW		A	B	C	Ø D	Ø E (A)	Ø E (AP)	Ø E (AS)	F (A)	F (AP)	F (AS)	K	L	SW	SW 1
		mm (inch)													
WV-M 0,25	M 14x1	96 (3.78)	82 (3.23)	2,5 (0.1)	4 (0.16)	10 (0.39)	10 (0.39)	10 (0.39)	105 (4.13)	105 (4.13)	105 (4.13)	4 (0.16)	5 (0.2)	13 (0.51)	17 (0.67)
WV-M 0,35	M 16x1	96 (3.78)	82 (3.23)	2,5 (0.1)	4 (0.16)	10 (0.39)	10 (0.39)	10 (0.39)	105 (4.13)	105 (4.13)	105 (4.13)	4 (0.16)	6 (0.24)	14 (0.55)	19 (0.75)
WV-M 0,5x19	M 20x1	113 (4.45)	94 (3.7)	2,5 (0.1)	6 (0.24)	12 (0.47)	12 (0.47)	17 (0.67)	123 (4.84)	125 (4.92)	123 (4.84)	6 (0.24)	6 (0.24)	18 (0.71)	24 (0.94)
WV-M 1,0	M 24x1,5	141 (5.55)	114 (4.49)	3,5 (0.14)	8 (0.31)	16 (0.63)	21 (0.83)	20 (0.79)	154 (6.06)	156 (6.14)	154 (6.06)	6 (0.24)	8 (0.31)	23 (0.91)	30 (1.18)
WV-M 1,0x40	M 24x1,5	178 (7.01)	136 (5.35)	3,5 (0.14)	8 (0.31)	16 (0.63)	21 (0.83)	20 (0.79)	191 (7.52)	193 (7.6)	191 (7.52)	6 (0.24)	8 (0.31)	23 (0.91)	30 (1.18)
WV-M 0,25UC	9/16-18	96 (3.78)	82 (3.23)	2,5 (0.1)	4 (0.16)	10 (0.39)	10 (0.39)	10 (0.39)	105 (4.13)	105 (4.13)	105 (4.13)	4 (0.16)	5 (0.2)	13 (0.51)	17 (0.67)
WV-M 0,5x19U	3/4-16	113 (4.45)	94 (3.7)	2,5 (0.1)	6 (0.24)	12 (0.47)	12 (0.47)	17 (0.67)	123 (4.84)	125 (4.92)	123 (4.84)	6 (0.24)	6 (0.24)	18 (0.71)	24 (0.94)
WV-M 1,0U	1 - 12	141 (5.55)	114 (4.49)	3,5 (0.14)	8 (0.31)	16 (0.63)	21 (0.83)	20 (0.79)	154 (6.06)	156 (6.14)	154 (6.06)	6 (0.24)	8 (0.31)	23 (0.91)	30 (1.18)
WV-M 1,0x40U	1-12	178 (7.01)	136 (5.35)	3,5 (0.14)	8 (0.31)	16 (0.63)	21 (0.83)	20 (0.79)	191 (7.52)	193 (7.6)	191 (7.52)	6 (0.24)	8 (0.31)	23 (0.91)	30 (1.18)

PERFORMANCE

	Stroke mm (inch)	Speed force		Speed rates m / min (inch / min)				Return spring force		Weight kg (lbs)
		min. N (min. lbs)	max. N (max. lbs)	min. -1	max. -1	min. -2	max. -2	min. N (min. lbs)	max. N (max. lbs)	
WV-M 0,25	14 (0.55)	20 (4.5)	500 (112.4)	12 (472.44)	40 (1574.8)	0,015 (0.59)	15 (590.55)	13 (2.92)	23 (5.17)	0,05 (0.11)
WV-M 0,35	14 (0.55)	20 (4.5)	700 (157.37)	12 (472.44)	40 (1574.8)	0,015 (0.59)	15 (590.55)	13 (2.92)	23 (5.17)	0,07 (0.15)
WV-M 0,5x19	19 (0.75)	25 (5.62)	1800 (404.66)	12 (472.44)	40 (1574.8)	0,015 (0.59)	15 (590.55)	12 (2.7)	23 (5.17)	0,14 (0.31)
WV-M 1,0	25 (0.98)	70 (15.74)	3600 (809.31)	12 (472.44)	40 (1574.8)	0,015 (0.59)	15 (590.55)	15 (3.37)	31 (6.97)	0,29 (0.64)
WV-M 1,0x40	40 (1.57)	80 (17.98)	3600 (809.31)	12 (472.44)	40 (1574.8)	0,015 (0.59)	15 (590.55)	11 (2.47)	20 (4.5)	0,39 (0.86)
WV-M 0,25UC	14 (0.55)	20 (4.5)	500 (112.4)	12 (472.44)	40 (1574.8)	0,015 (0.59)	15 (590.55)	13 (2.92)	23 (5.17)	0,05 (0.11)
WV-M 0,5x19U	19 (0.75)	25 (5.62)	1800 (404.66)	12 (472.44)	40 (1574.8)	0,015 (0.59)	15 (590.55)	12 (2.7)	23 (5.17)	0,14 (0.31)
WV-M 1,0U	25 (0.98)	70 (15.74)	3600 (809.31)	12 (472.44)	40 (1574.8)	0,015 (0.59)	15 (590.55)	15 (3.37)	31 (6.97)	0,29 (0.64)
WV-M 1,0x40U	40 (1.57)	80 (17.98)	3600 (809.31)	12 (472.44)	40 (1574.8)	0,015 (0.59)	15 (590.55)	11 (2.47)	20 (4.5)	0,39 (0.86)