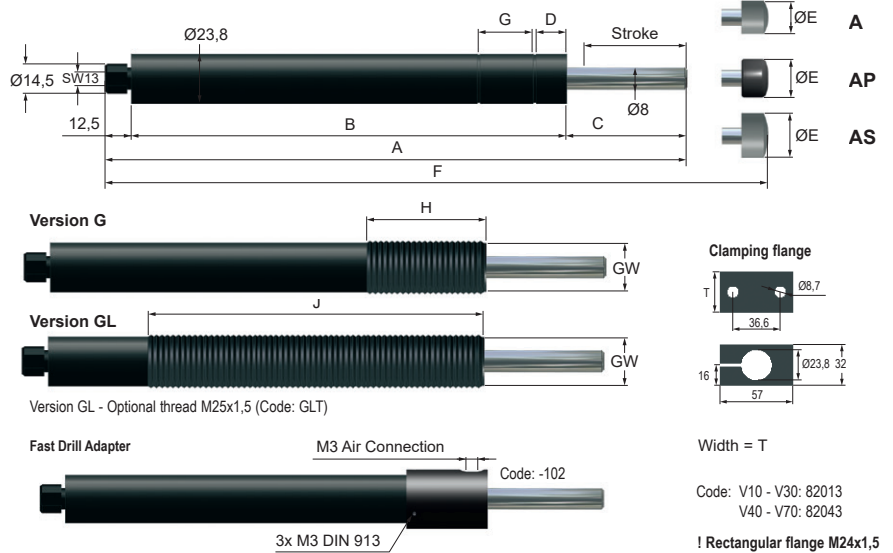


## Speed Controls

# WM-V

Speed rates: 0,015 - 40 m/min

Adjustment Variable  
 Extended Life Time Special Seals + Oils  
 Piston rod: hardened stainless steel  
 Housing: black finish  
 Temperature -20°C - +80°C (-4°F - +176°F)  
 RoHS compliant Directive 2002/95/EC



Code: V10 - V30: 82013  
 V40 - V70: 82043  
 ! Rectangular flange M24x1,5  
 - Page 22

## DIMENSIONS

	A	B	C	D	øE (A)	F (A)	øE (AP)	F (AP)	øE (AS)	F (AS)	G	T	H	J
mm (inch)														
WM-V 10	161 (6.34)	128 (5.04)	21 (0.83)	21,5 (0.85)	16 (0.63)	166 (6.54)	21 (0.83)	168 (6.61)	16 (0.63)	166 (6.54)	25,4 (1)	32 (1.26)	40 (1.57)	93 (3.66)
WM-V 20	202 (7.95)	157 (6.18)	33 (1.3)	19,1 (0.75)	16 (0.63)	207 (8.15)	21 (0.83)	209 (8.23)	16 (0.63)	207 (8.15)	25,4 (1)	32 (1.26)	40 (1.57)	122 (4.8)
WM-V 30	278 (10.94)	208 (8.19)	58 (2.28)	14,6 (0.57)	16 (0.63)	283 (11.14)	21 (0.83)	285 (11.22)	16 (0.63)	283 (11.14)	25,4 (1)	32 (1.26)	40 (1.57)	173 (6.81)
WM-V 40	351 (13.82)	256 (10.08)	83 (3.27)	14,6 (0.57)	16 (0.63)	356 (14.02)	21 (0.83)	358 (14.09)	16 (0.63)	356 (14.02)	25,4 (1)	50 (1.97)	40 (1.57)	221 (8.7)
WM-V 50	417 (16.42)	298 (11.73)	106 (4.17)	14,6 (0.57)	16 (0.63)	422 (16.61)	21 (0.83)	424 (16.69)	16 (0.63)	422 (16.61)	25,4 (1)	50 (1.97)	40 (1.57)	263 (10.35)
WM-V 60	524 (20.63)	381 (15)	131 (5.16)	14,6 (0.57)	16 (0.63)	529 (20.83)	21 (0.83)	531 (20.91)	16 (0.63)	529 (20.83)	25,4 (1)	50 (1.97)	40 (1.57)	-
WM-V 70	584 (22.99)	415 (16.34)	156 (6.14)	14,6 (0.57)	16 (0.63)	589 (23.19)	21 (0.83)	591 (23.27)	16 (0.63)	589 (23.19)	25,4 (1)	50 (1.97)	40 (1.57)	-

## PERFORMANCE

	Stroke mm (inch)	Speed force		Speed rates m / min (inch / min)				Return spring force		Weight kg (lbs)
		min. N (min. lbs)	max. N (max. lbs)	min. -1	max. -1	min. -2	max. -2	min. N (min. lbs)	max. N (max. lbs)	
WM-V 10	13 (0.51)	25 (5.62)	3700 (831.79)	12 (472.44)	40 (1574.8)	0,015 (0.59)	15 (590.55)	12 (2.7)	28 (6.29)	0,35 (0.77)
WM-V 20	25 (0.98)	25 (5.62)	3700 (831.79)	12 (472.44)	40 (1574.8)	0,015 (0.59)	15 (590.55)	12 (2.7)	28 (6.29)	0,45 (0.99)
WM-V 30	50 (1.97)	35 (7.87)	3700 (831.79)	12 (472.44)	40 (1574.8)	0,015 (0.59)	15 (590.55)	15 (3.37)	32 (7.19)	0,5 (1.1)
WM-V 40	75 (2.95)	45 (10.12)	3700 (831.79)	12 (472.44)	40 (1574.8)	0,015 (0.59)	15 (590.55)	15 (3.37)	32 (7.19)	0,65 (1.43)
WM-V 50	100 (3.94)	45 (10.12)	3700 (831.79)	12 (472.44)	40 (1574.8)	0,015 (0.59)	15 (590.55)	15 (3.37)	32 (7.19)	0,8 (1.76)
WM-V 60	125 (4.92)	45 (10.12)	3700 (831.79)	12 (472.44)	40 (1574.8)	0,015 (0.59)	15 (590.55)	16 (3.6)	40 (8.99)	0,97 (2.14)
WM-V 70	150 (5.91)	45 (10.12)	3700 (831.79)	12 (472.44)	40 (1574.8)	0,015 (0.59)	15 (590.55)	16 (3.6)	40 (8.99)	1,05 (2.31)