

Double-Acting Speed Controls

WM-VD 36



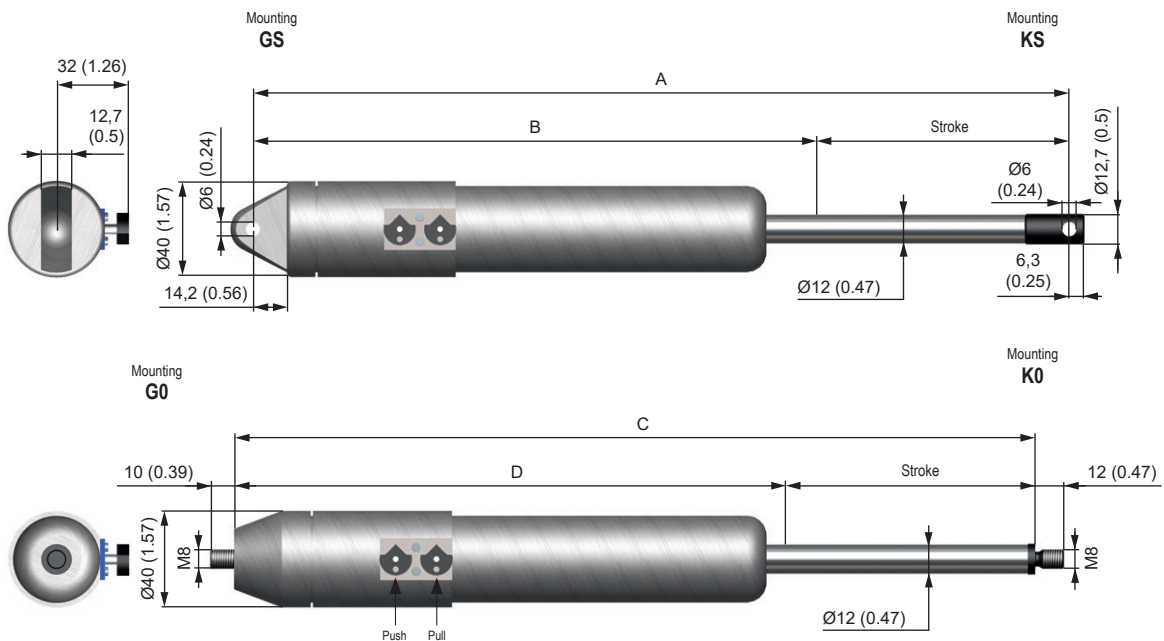
Precise adjustment in Push- and Pull direction
Continuous adjustment over the entire stroke

Deceleration	Double-acting
Surface protection	Housing: anodised aluminium
Extended life time	Piston rod: hard-chrome plated
Temperature	-20°C - +80°C (-4°F - +176°F)
RoHS compliant	Directive 2002/95/E

Ordering Information

WM-VD 36-100-K2G4-C

WM	Weforma	K2	Piston rod - Angle joint
VD	Speed control, double-acting	G4	Housing - Spherical end bearing
36	Size	C	Type of deceleration: A=push, B=pull, C=push and pull
100	Stroke		



Accessories Pages 115

PERFORMANCE

	Stroke	Pull	Push	Pull - Push	Speed rates	A	B	C	D	Weight
	mm (inch)	N max. (lbs max.)	N max. (lbs max.)	N min. (lbs min.)	m/min (ft/min)	mm (inch)	mm (inch)	mm (inch)	mm (inch)	g (lbs)
WM-VD 36 - 050	50 (1.97)	4000 (899.24)	4000 (899.24)	60 (13.49)	0,015 - 40 (0.05 - 132)	250 (9.84)	200 (7.87)	240 (9.45)	190 (7.48)	420 (0.93)
WM-VD 36 - 100	100 (3.94)	4000 (899.24)	3500 (786.84)	60 (13.49)	0,015 - 40 (0.05 - 132)	350 (13.78)	250 (9.84)	340 (13.39)	240 (9.45)	470 (1.04)
WM-VD 36 - 150	150 (5.91)	4000 (899.24)	2000 (449.62)	60 (13.49)	0,015 - 40 (0.05 - 132)	450 (17.72)	300 (11.81)	440 (17.32)	290 (11.42)	520 (1.15)
WM-VD 36 - 200	200 (7.87)	4000 (899.24)	1800 (404.66)	60 (13.49)	0,015 - 40 (0.05 - 132)	550 (21.65)	350 (13.78)	540 (21.26)	340 (13.39)	570 (1.26)
WM-VD 36 - 250	250 (9.84)	4000 (899.24)	1500 (337.22)	60 (13.49)	0,015 - 40 (0.05 - 132)	650 (25.59)	400 (15.75)	640 (25.2)	390 (15.35)	650 (1.43)