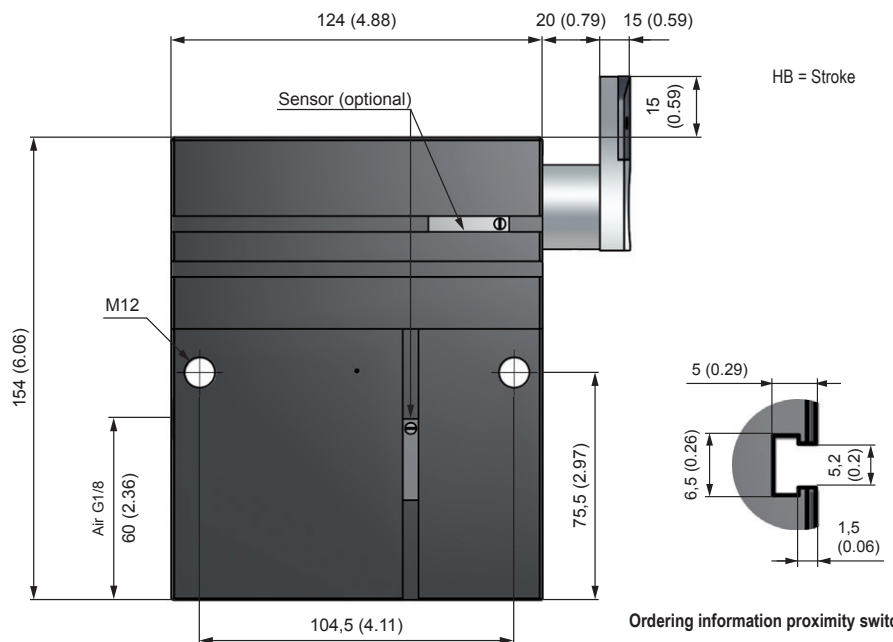
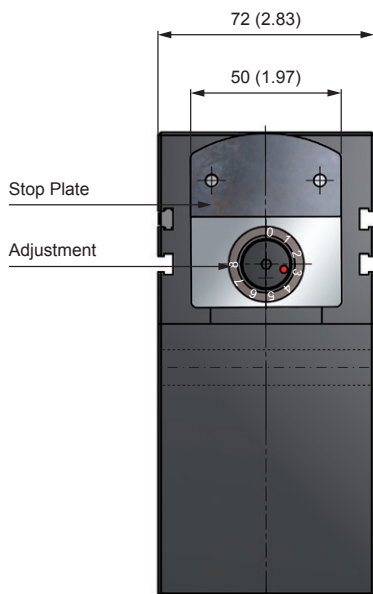


Pallet Stopper

WPS 500



- Precise deceleration and singulation of pallets
- Adjustable hydraulic deceleration with pneumatic piston return
- Masses up to 1.200 kg and speeds up to 40 m/min
- Housing: aluminium, black anodized, Stop: nickel plated
- Hardened stop
- Sensor for end position (optional)
- Special version: pallet stopper for clean room Cl. 5 (ISO), Cl. 100 (US), Cl. 3 (VDI)
- RoHS compliant Directive 2002/95/EC



Ordering information proximity switch

Standard version: without preparation for proximity switch (e.g. WPS 500)
 "NV" Version: with preparation for proximity switch (e.g. WPS 500-NV)

Accessories Pages 172

PERFORMANCE

Speed	Mass kg (lbs)
6 m/min	7 - 1200 (15.43 - 2645.55)
9 m/min	7 - 1200 (15.43 - 2645.55)
12 m/min	7 - 1200 (15.43 - 2645.55)
18 m/min	7 - 1200 (15.43 - 2645.55)
24 m/min	7 - 1000 (15.43 - 2204.62)
30 m/min	7 - 600 (15.43 - 1322.77)
40 m/min	7 - 300 (15.43 - 661.39)

Values apply to a coefficient of friction of 0.07 μ at a propelling force of at least 35 N (7.87 lbs).

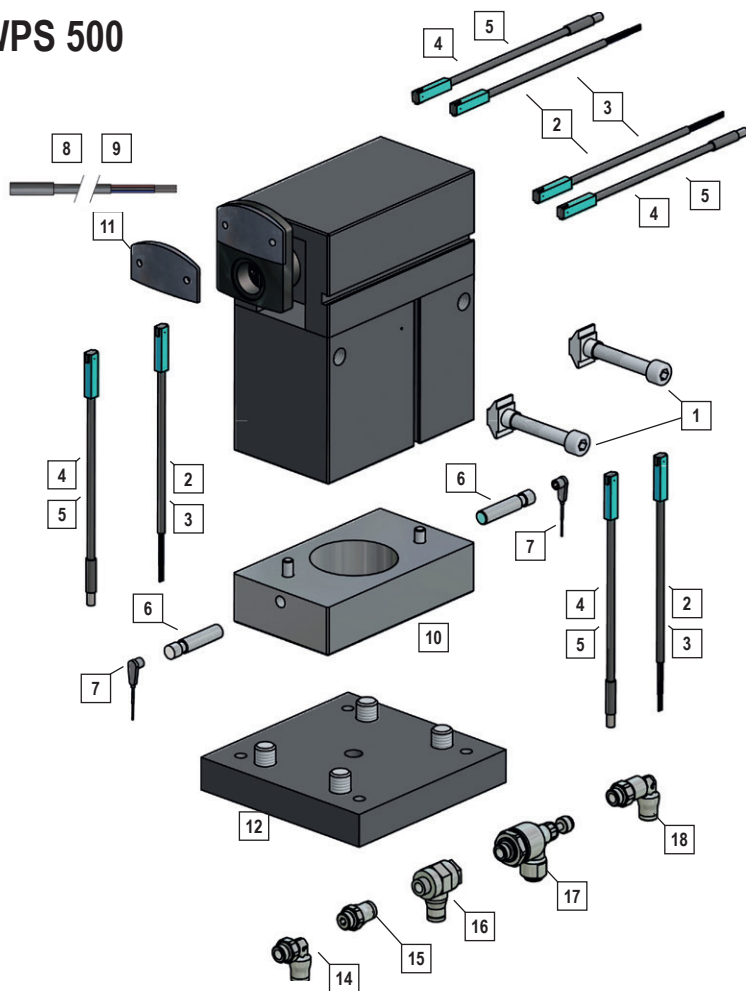
Values apply to a coefficient of friction of 0.1 μ .

SPECIFICATIONS

Working Pressure	4 - 8 bar (58.02 - 116.03 psi)
Compressed Air	treated
Tube Diameter	6 - 8 mm (0.24 - 0.31 inch)
Stroke horizontal:	20 mm
Stroke vertical:	15 mm (0.59 inch)
Weight	3,8 kg

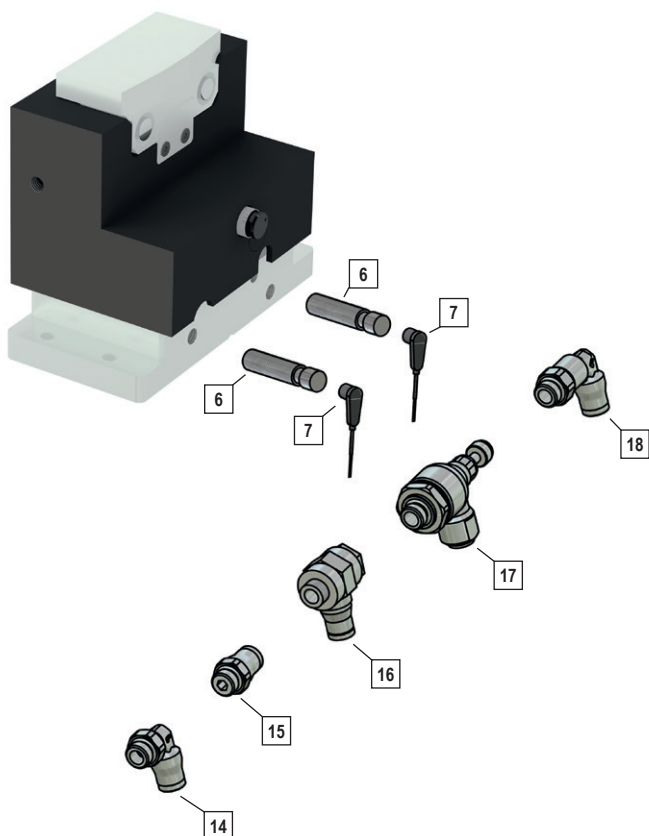
Accessories

WPS 500



1	PSB 500	Fastening set
2	N 10	Sensor, electric reed switch, 2,5 m cable
3	N 11	Sensor, electric reed switch, 5 m cable
4	N 15	Sensor with plug, electric reed switch, Ø 8mm, 0,3 m cable
5	N 16	Sensor with knurled nut, Ø 8mm electric reed switch, 0,3 m cable
6	N 20	Sensor, inductiv
7	KS 60	Kabel mit Stecker, Ø 8mm • Cable with plug, Ø 8mm
8	KS 25	Cable with plug 2,5 m, Ø 8mm
9	KS 50	Cable with plug 5 m, Ø 8mm
10	PS500-15	Position sensing WPS-500, top and bottom
11	PS500-1	Stop plate, steel, hardened (for replacement)
12	PS514	Mounting flange
14	VW1/8-6	G1/8-6 Stud elbow
14	VW1/8-8	G1/8-8 Stud elbow
15	VGR1/8-6	G1/8-6 Male stud
15	VGR1/8-8	G1/8-8 Male stud
16	VWS1/8-6	G1/8-6 Single banjo
16	VWS1/8-8	G1/8-8 Single banjo
17	VDR1/8-6	G1/8-6 Flow control regulator
17	VDR1/8-8	G1/8-8 Flow control regulator
18	VWL1/8-6	G1/8-6 Stud elbo, extended
18	VWL1/8-8	G1/8-8 Stud elbo, extended

WPS 600



6	N 20	Sensor, inductiv
7	KS 60	Cable with plug, Ø 8mm
14	VWIM5-6	M5-6 Stud elbow
15	VGRM5-6	M5-6 Male stud
16	VWSM5-6	M5-6 Single banjo
17	VDRM5-6	M5-6 Flow control regulator
18	VVLM5-6	M5-6 Stud elbo, extended