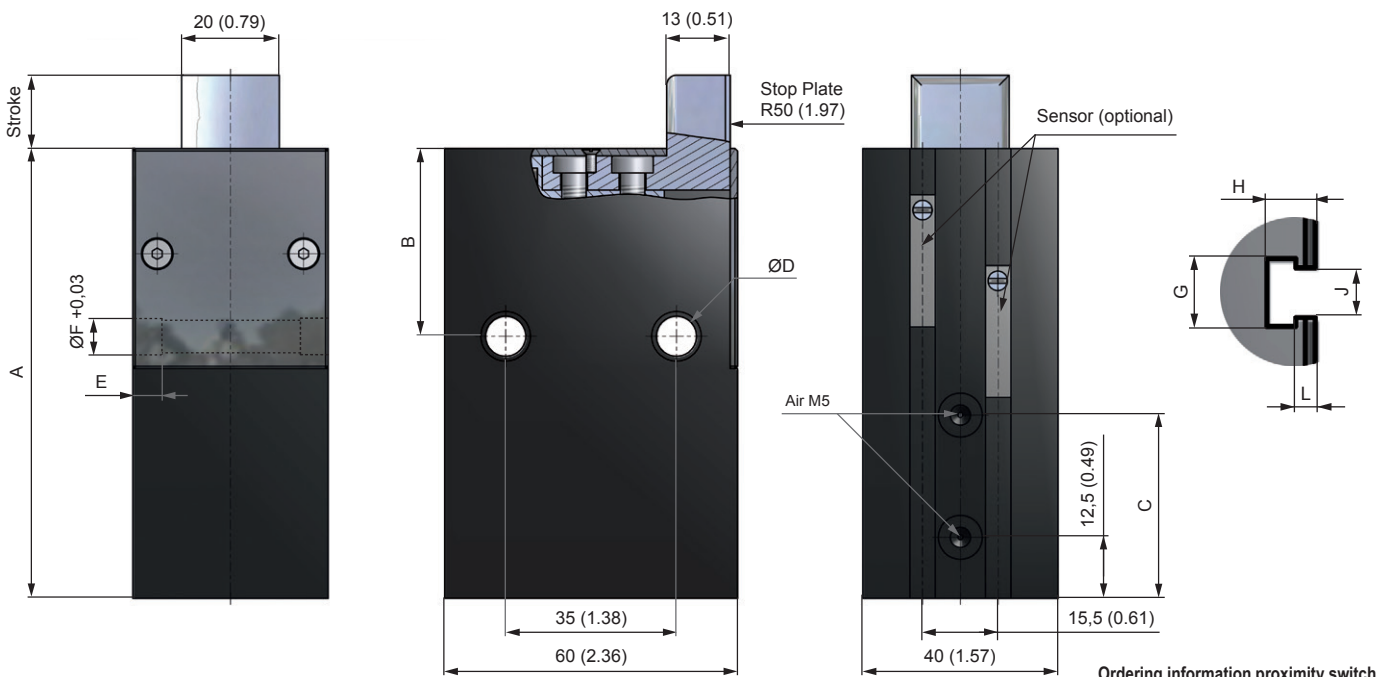


# WPS-F 250



- Precise deceleration and separation of pallets
- Masses up to 450 kg and speeds up to 40 m/min
- Single acting: via return spring
- Double acting (optional): pneumatic return
- Housing: aluminium, black anodized
- Hardened stop, (Plastic stop for low masses, optional)
- Sensor for end position (optional)
- Special models: pallet stopper for clean room  
Cl. 5 (ISO), Cl. 100 (US), Cl. 3 (VDI)
- RoHS compliant Directive 2002/95/EC



Ordering information proximity switch

Standard version: without preparation for proximity switch (e.g. WPS-F 250-9)  
"NV" Version: with preparation for proximity switch (e.g. WPS-F 250-9-NV)

## DIMENSIONS

	Stroke vertical	A	B	C	ØD	E	ØF	G	H	J	L	Weight
	mm (inch)											kg
WPS-F 250-9	9 (0.35)	78 (3.07)	38,5 (1.52)	32,9 (1.3)	8,2 (0.32)	5,2 (0.2)	10,15 (0.4)	6,5 (0.26)	5 (0.2)	5,2 (0.2)	1,5 (0.06)	0,55 (1.21)
WPS-F 250-15	15 (0.59)	92 (3.62)	38,5 (1.52)	41,8 (1.65)	8,2 (0.32)	5,2 (0.2)	10,15 (0.4)	6,5 (0.26)	5 (0.2)	5,2 (0.2)	1,5 (0.06)	0,65 (1.43)
WPS-F 250-25	25 (0.98)	108 (4.25)	50 (1.97)	51,8 (2.04)	8,2 (0.32)	5,2 (0.2)	10,15 (0.4)	6,5 (0.26)	5 (0.2)	5,2 (0.2)	1,5 (0.06)	0,8 (1.76)

## PERFORMANCE

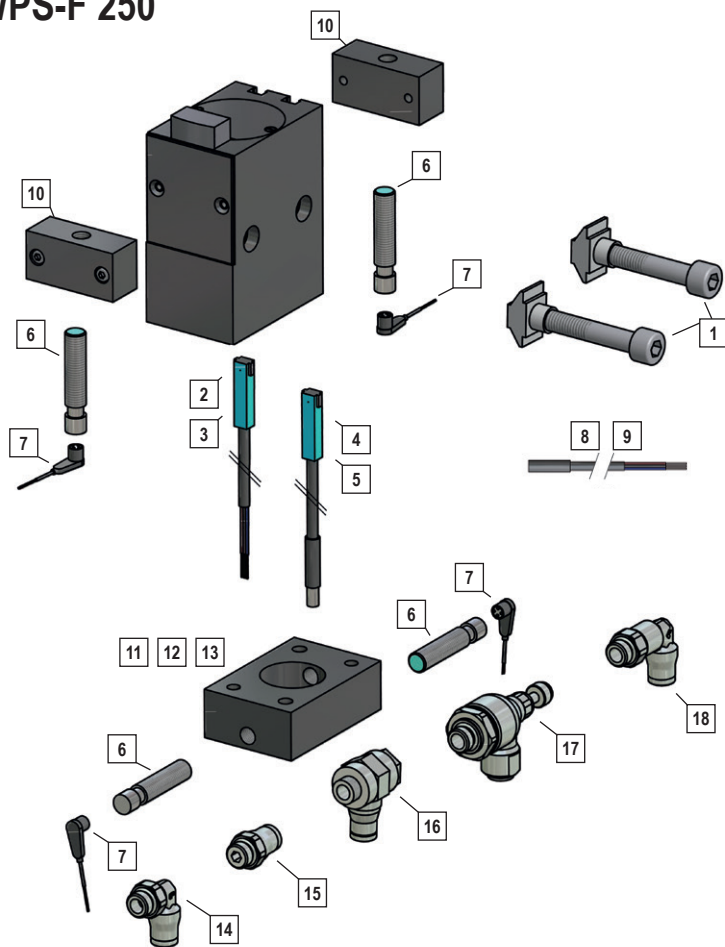
Speed	Mass kg (lbs)	Speed	Mass kg (lbs)
6 m/min	450 (992.08)	24 m/min	130 (286.6)
9 m/min	350 (771.62)	30 m/min	70 (154.32)
12 m/min	280 (617.29)	40 m/min	50 (110.23)
18 m/min	230 (507.06)		

## SPECIFICATIONS

Working Pressure	4 - 8 bar (58.02 - 116.03 psi)
Compressed Air	treated
Tube Diameter	6 - 8 mm (0.24 - 0.31 inch)

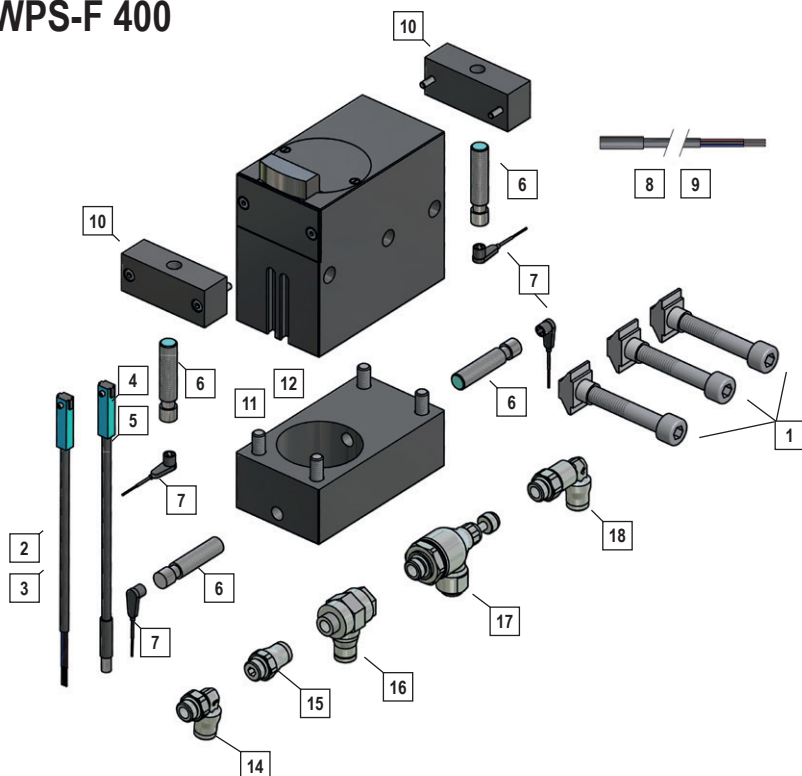
Accessories Pages 173

## WPS-F 250



1	PSFB 250	Fastening set
2	N 10	Sensor, electric reed switch, 2,5 m cable
3	N 11	Sensor, electric reed switch, 5 m cable
4	N 15	Sensor with plug, electric reed switch, Ø 8mm, 0,3 m cable
5	N 16	Sensor with knurled nut, Ø 8mm electric reed switch, 0,3 m cable
6	N 20	Sensor, inductiv
7	KS 60	Cable with plug, Ø 8mm
8	KS 25	Cable with plug 2,5 m, Ø 8mm
9	KS 50	Cable with plug 5 m, Ø 8mm
10	F 250-14	Mounting flange for sensor
11	F250-9-15	Position sensing WPS-F250-9, top and bottom
12	F250-15-15	Position sensing WPS-F250-15, top and bottom
13	F250-25-15	Position sensing WPS-F250-25, top and bottom
14	VWIM5-6	M5-6 Stud elbow
15	VGRM5-6	M5-6 Male stud
16	VWSM5-6	M5-6 Single banjo
17	VDRM5-6	M5-6 Flow control regulator
18	VWLM5-6	M5-6 Stud elbo, extended

## WPS-F 400



1	PSFB 400	Fastening set
2	N 10	Sensor, electric reed switch, 2,5 m cable
3	N 11	Sensor, electric reed switch, 5 m cable
4	N 15	Sensor with plug, electric reed switch, Ø 8mm, 0,3 m cable
5	N 16	Sensor with knurled nut, Ø 8mm electric reed switch, 0,3 m cable
6	N 20	Sensor, inductiv
7	KS 60	Cable with plug, Ø 8mm
8	KS 25	Cable with plug 2,5 m, Ø 8mm
9	KS 50	Cable with plug 5 m, Ø 8mm
10	F 400-14	Mounting flange for sensor
11	F400-10-15	Position sensing WPS-F400-10, top and bottom
12	F400-20-15	Position sensing WPS-F400-20, top and bottom
14	VWIM5-6	M5-6 Stud elbow
15	VGRM5-6	M5-6 Male stud
16	VWSM5-6	M5-6 Single banjo
17	VDRM5-6	M5-6 Flow control regulator
18	VWLM5-6	M5-6 Stud elbo, extended