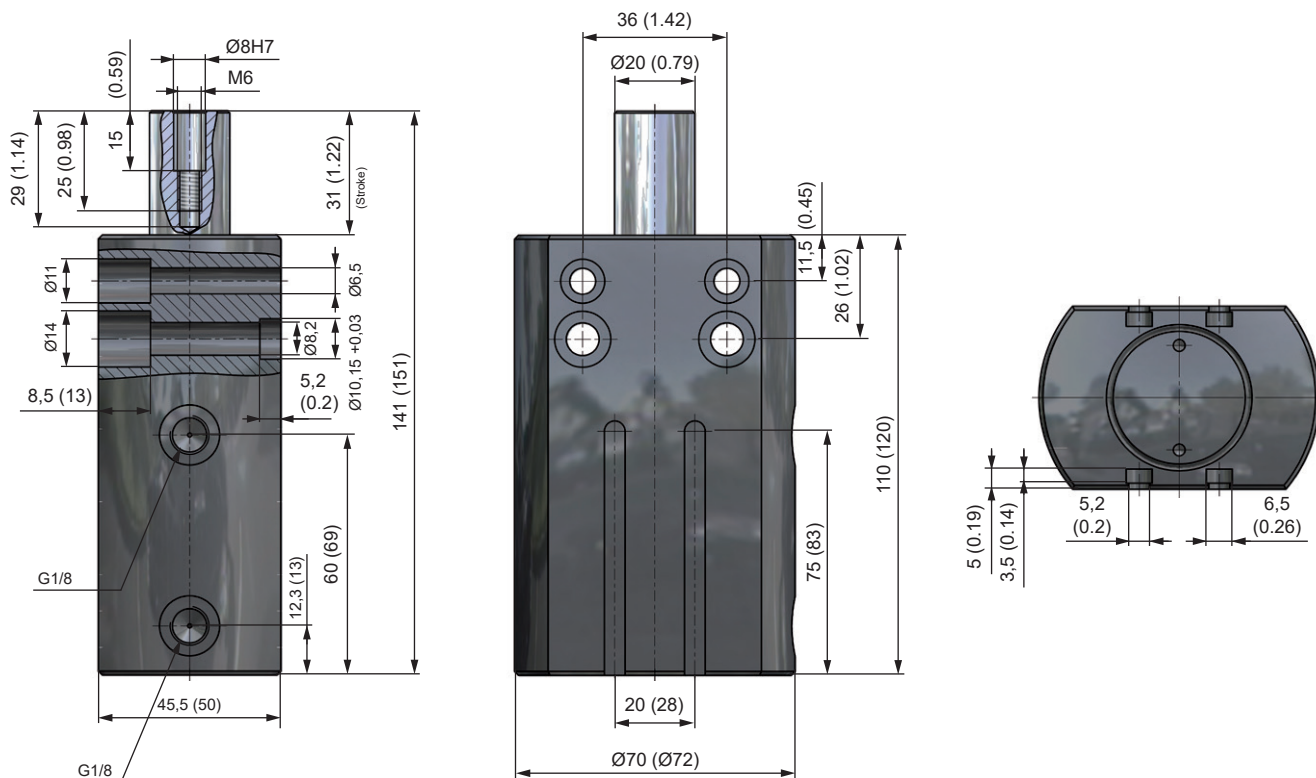


Positioning Cylinder

WPZ



- Exact positioning and lifting of pallets
- Interchangeable positioning bolts for different pallet systems
- Sensor for end position (optional)
- Special version: Positioning cylinder for clean room CL. 5 (ISO), CL. 100 (US), CL. 3 (VDI)
- RoHS compliant Directive 2002/95/EC



PISTON FORCES

Working pressure (bar / psi)	4	5	6	7	8
retract (WPZ 32 / 40)	200 N (44.96 lbs) / 380 N (85.43 lbs)	250 N (56.2 lbs) / 475 N (106.78 lbs)	295 N (66.32 lbs) / 656 N (147.47 lbs)	345 N (77.56 lbs) / 660 N (148.37 lbs)	395 N (88.8 lbs) / 755 N (169.73 lbs)
extend (WPZ 32 / 40)	320 N (71.94 lbs) / 505 N (113.53 lbs)	400 N (89.92 lbs) / 630 N (141.63 lbs)	485 N (109.03 lbs) / 755 N (169.73 lbs)	565 N (127.02 lbs) / 880 N (197.83 lbs)	645 N (145 lbs) / 1010 N (227.06 lbs)

SPECIFICATIONS

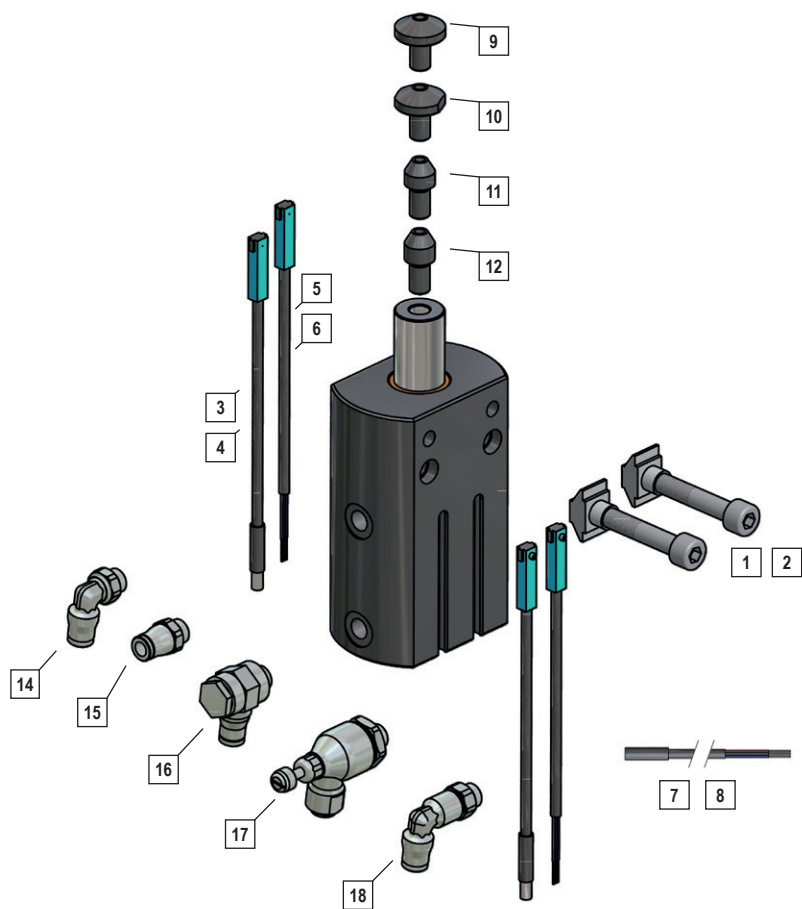
Working Pressure	4 - 8 bar (58.02 - 116.03 psi)
Air connection	G1/8
Compressed Air	treated
Tube Diameter	6 - 8 mm (0.24 - 0.31 inch)
Weight	WPZ 32: 0,9 kg (1.98 lbs), WPZ40: 1,0 kg (2.2 lbs)

Accessories Pages 175

Ordering information proximity switch

Standard version: without preparation for proximity switch (e.g. WPZ-32)
"NV" Version: with preparation for proximity switch (e.g. WPZ-32-NV)

WPZ 32 / 40



1	PZB32	Fastening set WPZ 32
2	PZB40	Fastening set WPZ 40
3	N 10	Sensor, electric reed switch, 2,5 m cable
4	N 11	Sensor, electric reed switch, 5 m cable
5	N 15	Sensor with plug, electric reed switch, Ø 8mm, 0,3 m cable
6	N 16	Sensor with knurled nut, Ø 8mm electric reed switch, 0,3 m cable
7	KS 25	Cable with plug 2,5 m, Ø 8mm
8	KS 50	Cable with plug 5 m, Ø 8mm
9	PB10	Positionierbolzen PB10
10	PB11	Positionierbolzen PB11
11	PB12	Positionierbolzen PB12
12	PB13	Positionierbolzen PB13
14	VW1/8-6	G1/8-6 Stud elbow
14	VW1/8-8	G1/8-8 Stud elbow
15	VGR1/8-6	G1/8-6 Male stud
15	VGR1/8-8	G1/8-8 Male stud
16	VWS1/8-6	G1/8-6 Single banjo
16	VWS1/8-8	G1/8-8 Single banjo
17	VDR1/8-6	G1/8-6 Flow control regulator
17	VDR1/8-8	G1/8-8 Flow control regulator
18	VWL1/8-6	G1/8-6 Stud elbo, extended
18	VWL1/8-8	G1/8-8 Stud elbo, extended