

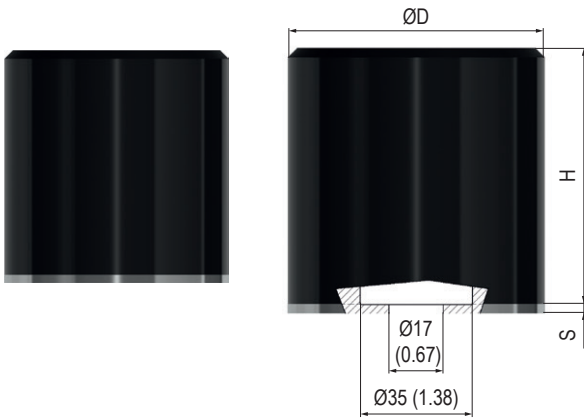
Overrun Buffers for Elevators

WAP

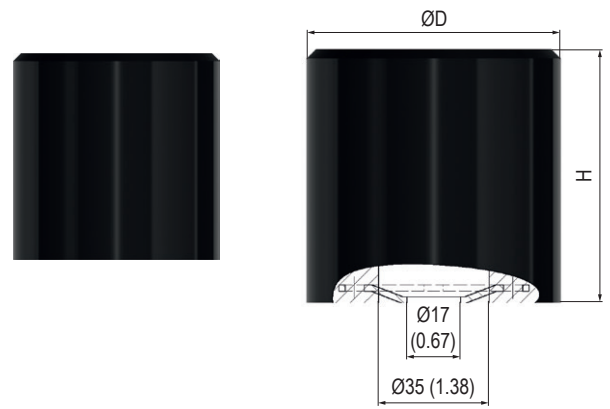


Material	PUR, cellular
EC-Type Examination	Directive: 95/16/EC; EN 81-20/50
Temperature	-30°C - +80°C (-22°F - +176°F)
Applications	Passenger and load elevators

RS



EM



DIMENSIONS

		Size	ø D	H	S
			mm (inch)	mm (inch)	mm (inch) (+/- 0,5)
WAP-80-80-RS	WAP-80-80-EM	D0	80 (3.15)	80 (3.15)	4 (0.16)
WAP-100-80-RS	WAP-100-80-EM	D1	100 (3.94)	80 (3.15)	4 (0.16)
WAP-100-80-RS2	WAP-100-80-EM2	D2	100 (3.94)	80 (3.15)	4 (0.16)
WAP-125-80-RS	WAP-125-80-EM	D3	125 (4.92)	80 (3.15)	4 (0.16)
WAP-140-80-RS	WAP-140-80-EM	D4	140 (5.51)	80 (3.15)	4 (0.16)
WAP-165-80-RS	WAP-165-80-EM	D5	165 (6.5)	80 (3.15)	6 (0.24)
WAP-220-80-RS	WAP-220-80-EM	D6	220 (8.66)	80 (3.15)	6 (0.24)

PERFORMANCE

		Size	Nominal Speed			
			0,63 m/s* (2.07 ft/s)		1 m/s* (3.28 ft/s)	
			m min (kg / lbs)	m max (kg / lbs)	m min (kg / lbs)	m max (kg / lbs)
WAP-80-80-RS	WAP-80-80-EM	D0	180 (396.9)	1200 (2646)	180 (396.9)	600 (1323)
WAP-100-80-RS	WAP-100-80-EM	D1	200 (441)	1500 (3307.5)	220 (485.1)	700 (1543.5)
WAP-100-80-RS2	WAP-100-80-EM2	D2	250 (551.25)	3200 (7056)	330 (727.65)	1250 (2756.25)
WAP-125-80-RS	WAP-125-80-EM	D3	500 (1102.5)	5200 (11466)	600 (1323)	1850 (4079.25)
WAP-140-80-RS	WAP-140-80-EM	D4	320 (705.6)	4000 (8820)	450 (992.25)	1500 (3307.5)
WAP-165-80-RS	WAP-165-80-EM	D5	600 (1323)	7500 (16537.5)	650 (1433.25)	2700 (5953.5)
WAP-220-80-RS	WAP-220-80-EM	D6	950 (2094.75)	9400 (20727)	1500 (3307.5)	5500 (12127.5)