

Escapements

WVE

FEATURES

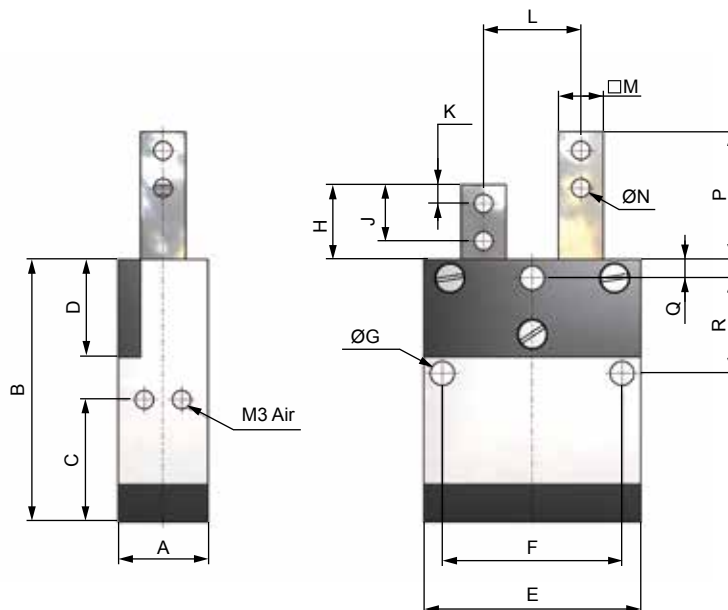
- Housing: Anodised aluminium
- Piston rod: Nickel plated
- Compressed air: Oiled / oil-free
- RoHS - conform Directive 2002/95/EC



PERFORMANCE

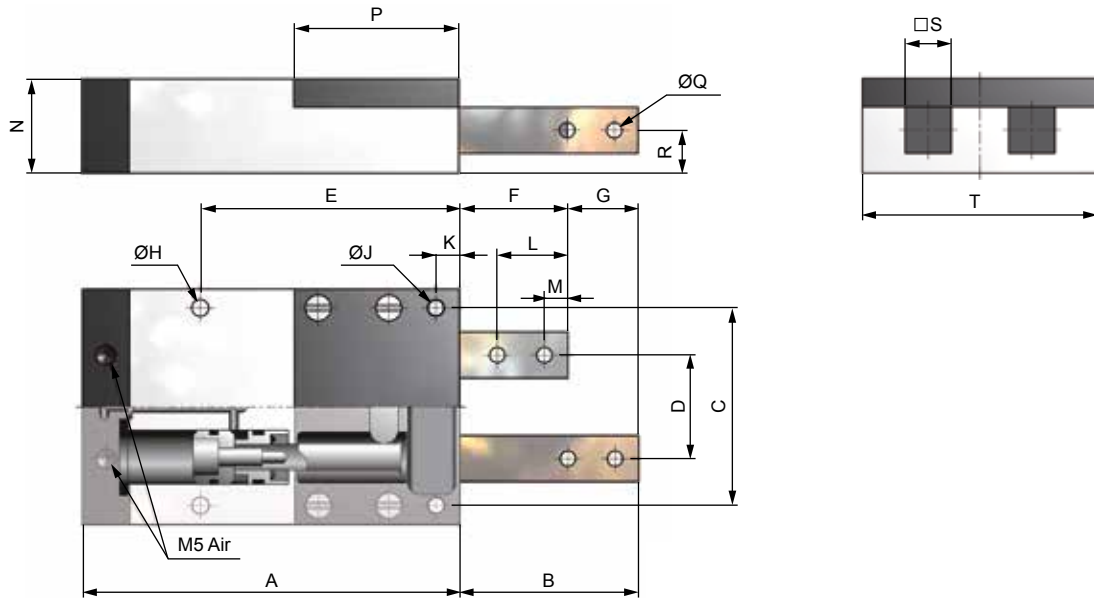
	Stroke	Extension force	Retraction force	Working pressure	Max. lateral load without support	Working temperature	Weight
	mm (inch)	min. N (min. lbs)	max. N (max. lbs)	bar (psi)	Nm (in lbs)	°C (°F)	kg (lbs)
WVE 8-7	7 (0.28)	28 (6.29)	23 (5.17)	2 (29.01) - 8 (116.03)	8 (70.81)	5-80°C (46-176°F)	0,045 (0.1)
WVE 12-15	15 (0.59)	67 (15.06)	50 (11.24)	2 (29.01) - 8 (116.03)	12 (106.21)	5-80°C (46-176°F)	0,4 (0.88)
WVE 32-25	25 (0.98)	80 (17.98)	69 (15.51)	2 (29.01) - 8 (116.03)	164 (1451.53)	5-80°C (46-176°F)	1,9 (4.19)
WVE 32-50	50 (1.97)	80 (17.98)	69 (15.51)	2 (29.01) - 8 (116.03)	164 (1451.53)	5-80°C (46-176°F)	2,4 (5.29)

WVE 8-7



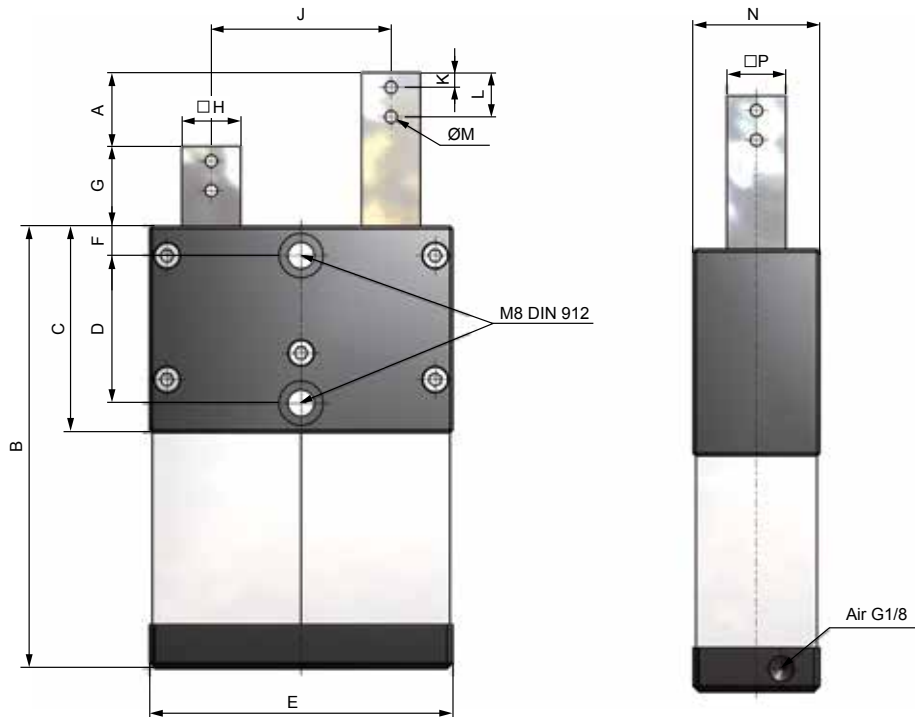
	A	B	C	D	E	F	G	H	J	K	L	M	N	P	Q	R
	mm (inch)	mm (inch)	mm (inch)	mm (inch)	mm (inch)	mm (inch)	mm (inch)	mm (inch)	mm (inch)	mm (inch)	mm (inch)	mm (inch)	mm (inch)	mm (inch)	mm (inch)	mm (inch)
WVE 8-7	12 (0.47)	35 (1.38)	16,7 (0.66)	13 (0.51)	29 (1.14)	24 (0.94)	3,2 (0.13)	10 (0.39)	7,5 (0.3)	2,5 (0.1)	13 (0.51)	6 (0.24)	2,4 (0.09)	17 (0.67)	2,5 (0.1)	12,7 (0.5)

WVE 12-15



	A	B	C	D	E	F	G	H	J	K	L	M	N	P	Q	R	S	T
	mm (inch)	mm (inch)	mm (inch)	mm (inch)	mm (inch)	mm (inch)	mm (inch)	mm (inch)	mm (inch)	mm (inch)	mm (inch)	mm (inch)	mm (inch)	mm (inch)	mm (inch)	mm (inch)	mm (inch)	mm (inch)
WVE 8-7	80 (3.15)	38 (1.5)	42 (1.65)	22 (0.87)	55 (2.17)	26 (1.02)	15 (0.59)	3,6 (0.14)	3,3 (0.13)	5 (0.2)	15 (0.59)	5 (0.2)	20 (0.79)	35 (1.38)	3,3 (0.13)	10 (0.39)	9,8 (0.39)	50 (1.97)

WVE 32-25 - WVE 32-50



	A	B	C	D	E	F	G	H	J	K	L	M	N	P
	mm (inch)	mm (inch)	mm (inch)	mm (inch)	mm (inch)	mm (inch)	mm (inch)	mm (inch)	mm (inch)	mm (inch)	mm (inch)	mm (inch)	mm (inch)	mm (inch)
WVE 32-25	25 (0.98)	150 (5.91)	70 (2.76)	50 (1.97)	103 (4.06)	10 (0.39)	27 (1.06)	20 (0.79)	61 (2.4)	5 (0.2)	15 (0.59)	4,1 (0.16)	43 (1.69)	20 (0.79)
WVE 32-50	50 (1.97)	200 (7.87)	95 (3.74)	75 (2.95)	103 (4.06)	10 (0.39)	27 (1.06)	20 (0.79)	61 (2.4)	5 (0.2)	15 (0.59)	4,1 (0.16)	43 (1.69)	20 (0.79)