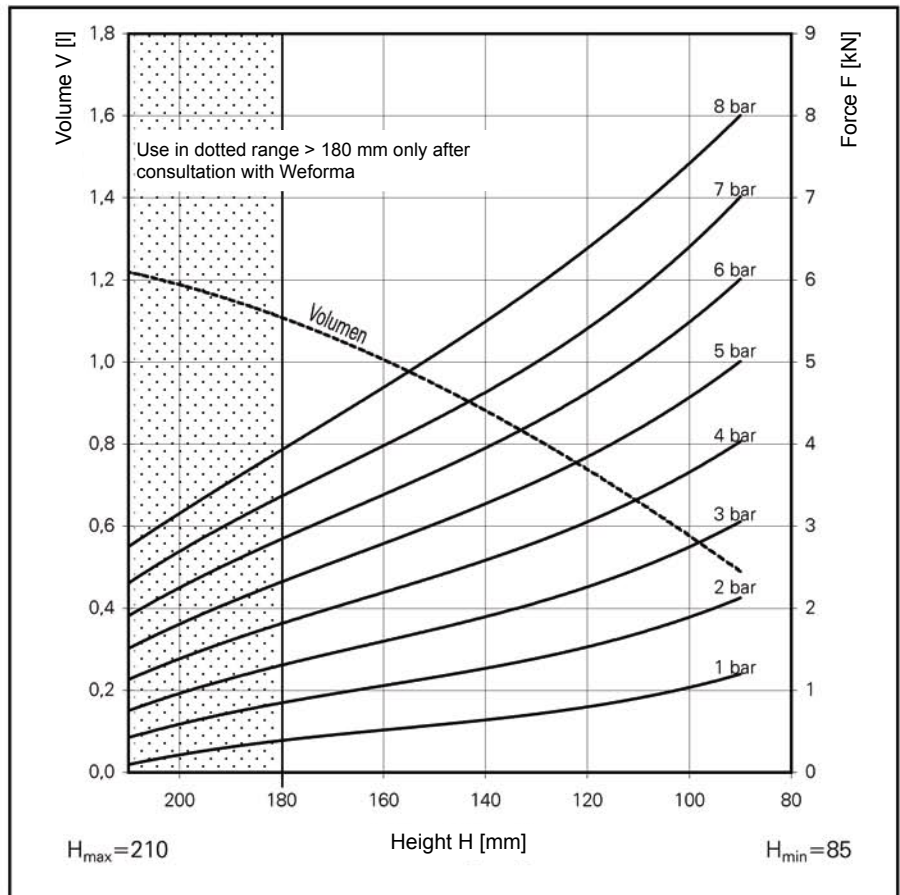
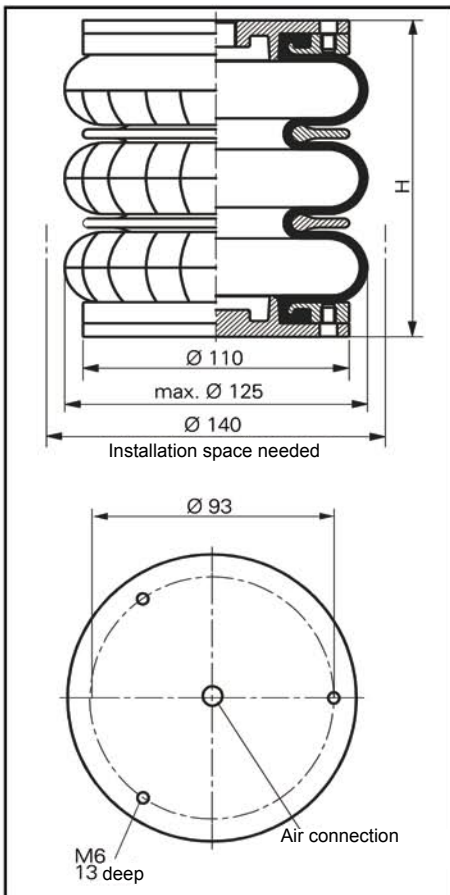


WBD 140



Force-height diagramm

Air connection

WBD 140-E1 G3/8


Technical data

Min. pressure	0 bar
Return force to min. height	≤ 150 N
Overall weight with clamped plates	1,2 kg

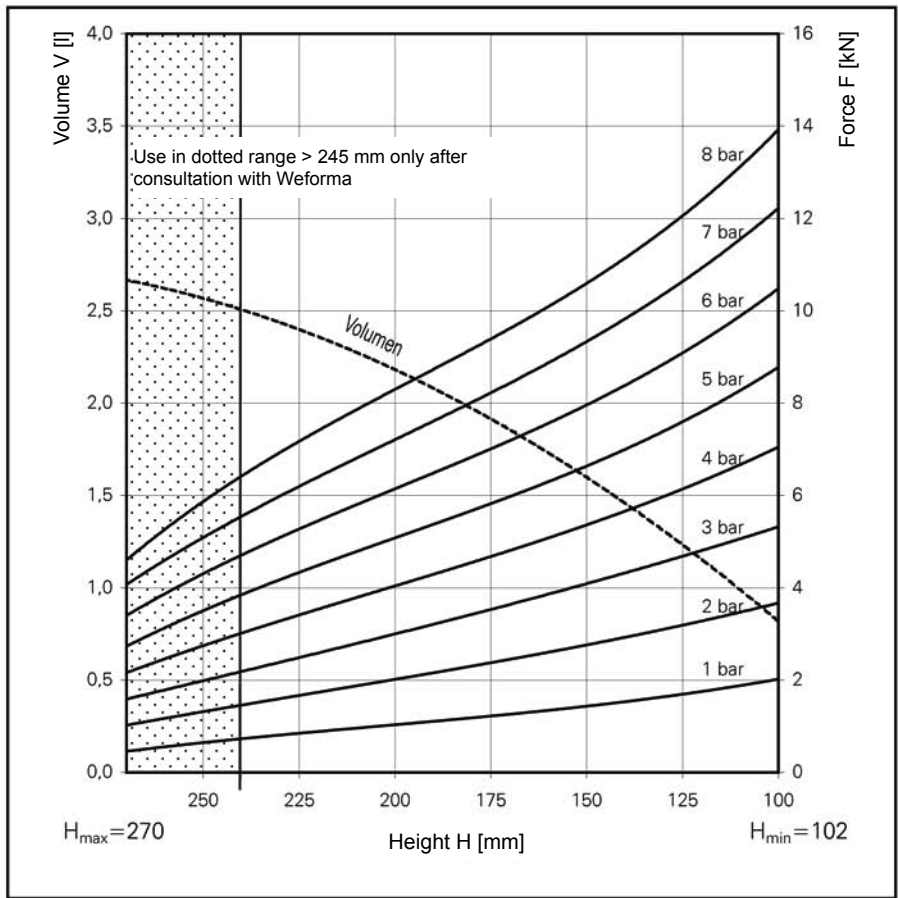
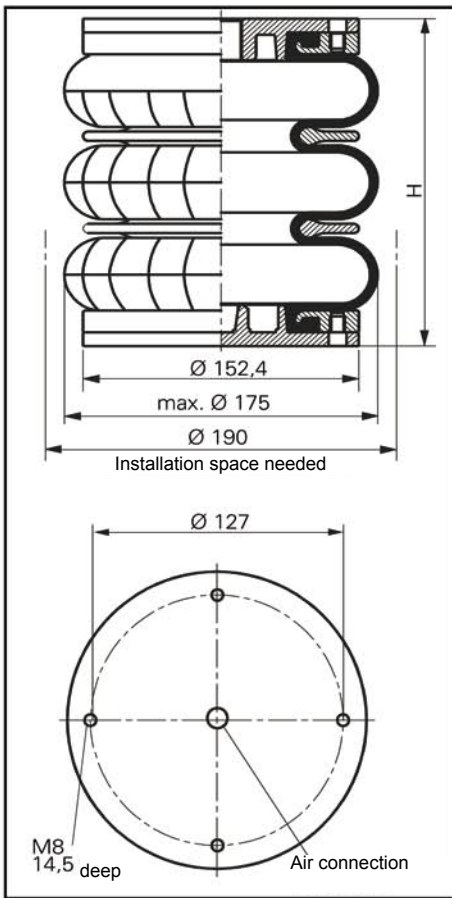
Pneumatic application - static characteristic values

Force F [kN]

Pressure p	[bar]	3	4	5	6	7	8	Vol.[l]
Height H [mm]	190	1,2	1,6	2,1	2,6	3,1	3,6	1,15
	170	1,5	2,0	2,6	3,1	3,7	4,3	1,06
	150	1,8	2,4	3,0	3,6	4,3	5,1	0,95
	130	2,1	2,8	3,6	4,3	5,0	5,9	0,81
	110	2,5	3,4	4,2	5,1	5,9	6,9	0,66

 Service instructions
M6 = 5 Nm
G 3/8 = 15 Nm

WBD 210



Force-height diagramm

Air connection

WBD 210-E1 G1/2

Technical data

Min. pressure	0 bar
Return force to min. height	≤ 190 N
Overall weight with clamped plates	2,5 kg

Pneumatic application - static characteristic values

Force F [kN]

Pressure p	[bar]	3	4	5	6	7	8	Vol.[l]
Height H [mm]	225	2,5	3,4	4,3	5,3	6,3	7,2	2,4
	200	3,1	4,1	5,1	6,2	7,2	8,4	2,2
	175	3,5	4,7	5,8	7,0	8,2	9,3	1,9
	150	4,0	5,3	6,6	8,0	9,3	10,6	1,6
	125	4,8	6,2	7,7	9,1	10,7	12,1	1,3

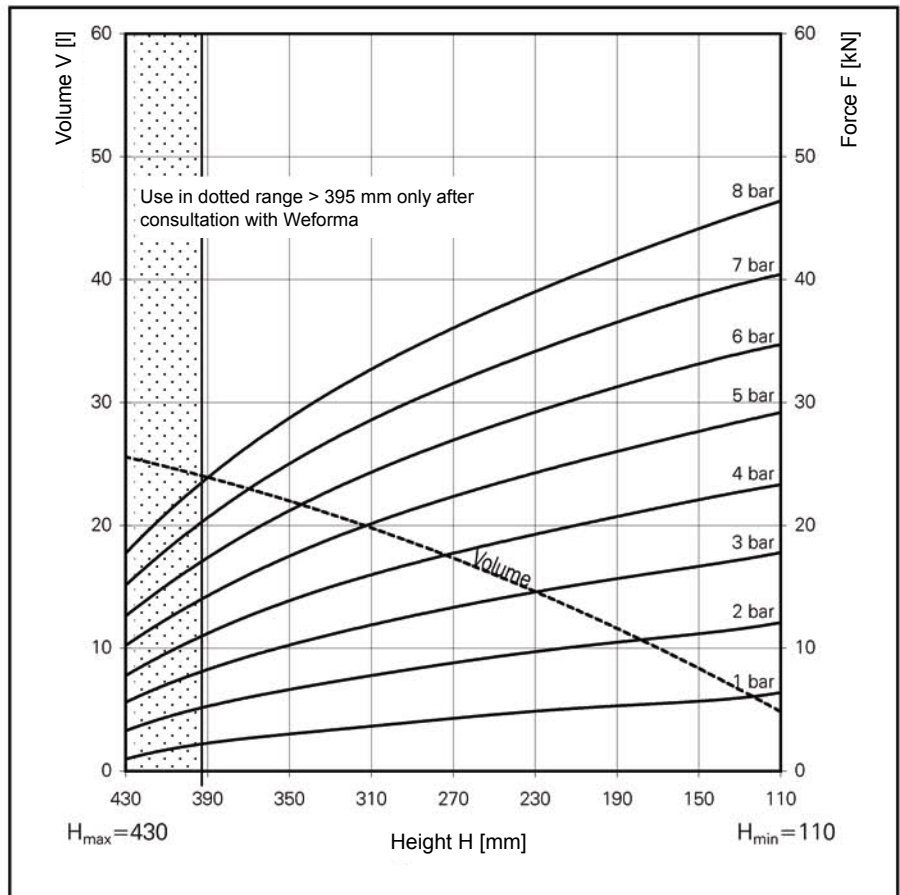
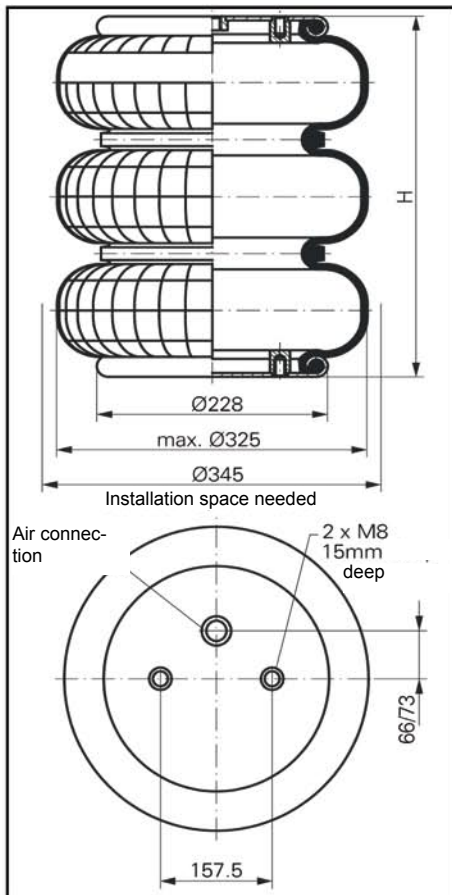


Service instructions

M8 = 20 Nm

G 1/2 = 25 Nm

WBD 500



Force-height diagramm

Air connection

WBD 500-E1 G1
WBD 500-E2 G1/4


Technical data

Min. pressure	0 bar
Return force to min. height	≤ 400 N
Overall weight with clamped plates	5.9 kg

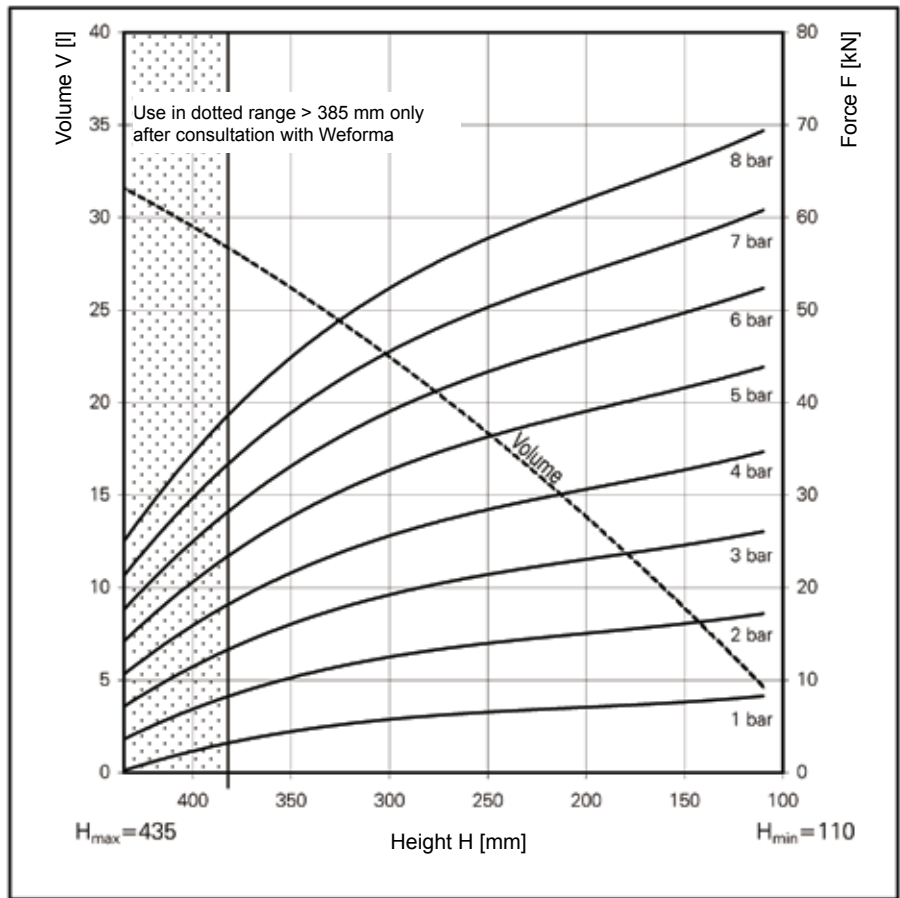
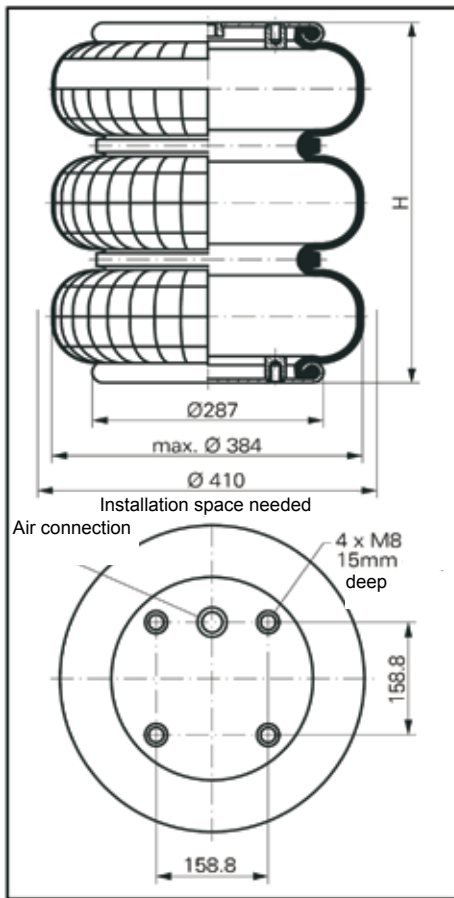
Pneumatic application - static characteristic values

Force F [kN]

Pressure p [bar]	3	4	5	6	7	8	Vol.[l]	
Height H [mm]	380	8.8	11.9	15.1	18.4	21.7	25.1	23.6
	340	10.7	14.4	18.2	22.0	25.9	29.8	21.6
	300	12.3	16.5	20.8	25.1	29.5	33.7	19.2
	260	13.7	18.2	22.9	27.6	32.3	36.9	16.6
	220	14.8	19.5	24.6	29.6	34.6	39.5	13.8
	180	15.9	21.1	26.5	31.8	37.2	42.4	10.7
	140	17.0	22.4	28.1	33.6	39.1	44.7	7.5

 Service instructions
M 8 = 25 Nm
G 1/4 = 25 Nm
G 1 = 50 Nm

WBD 600



Force-height diagramm

Air connection

WBD 600-E1 G 3/4
WBD 600-E2 G 1/4

Technical data

Min. pressure	0 bar
Return force to min. height	≤ 500 N
Overall weight with clamped plates	8.0 kg

Pneumatic application - static characteristic values

Force F [kN]

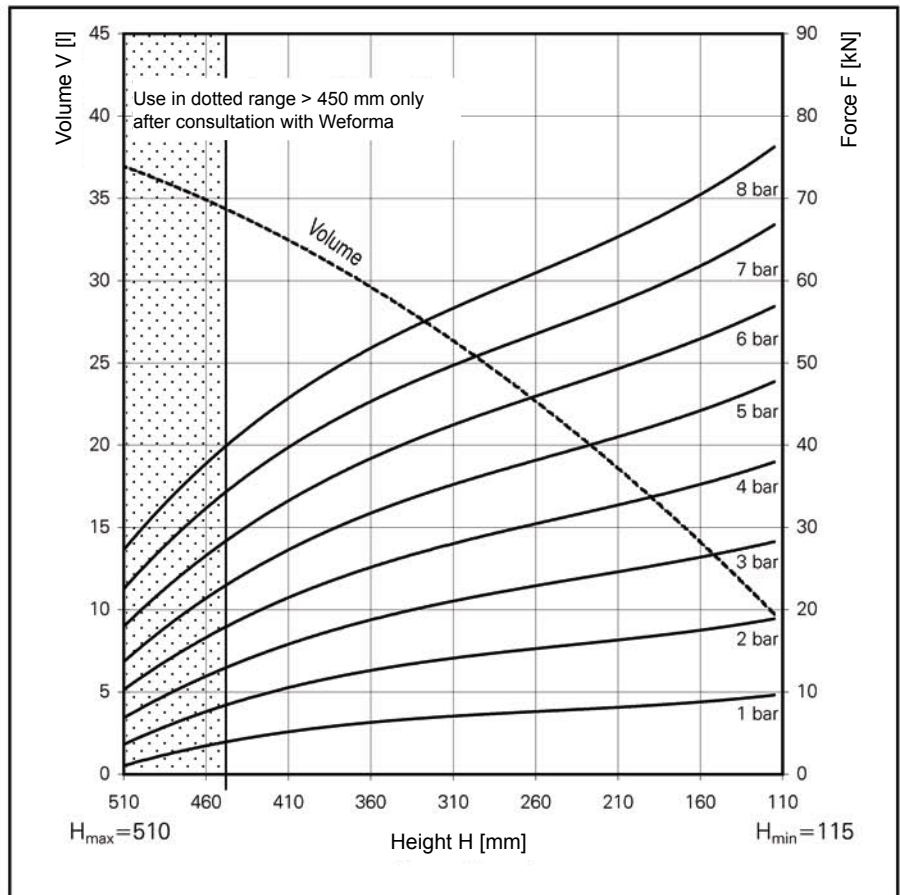
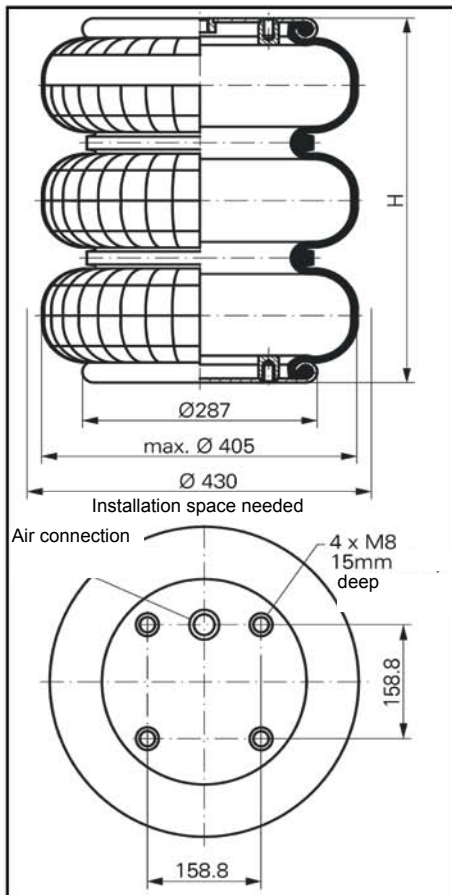
Pressure p	[bar]	3	4	5	6	7	8	Vol.[l]
Height H [mm]	360	15.4	20.8	26.6	32.0	37.3	43.2	26.8
	320	18.1	24.1	30.9	37.0	43.1	49.5	24.0
	280	20.2	26.7	34.1	40.8	47.6	54.6	20.9
	240	21.7	28.9	36.9	44.1	51.1	58.8	17.5
	200	23.1	30.6	39.0	46.6	54.0	62.0	14.0
	160	24.4	32.3	41.2	49.1	57.0	65.1	10.0
	120	25.7	34.2	43.4	51.7	60.0	68.5	5.5



Service instructions

M8 = 25 Nm
G 1/4 = 25 Nm
G 1 = 50 Nm

WBD 700



Force-height diagramm

Air connection

WBD 700-E1 G1
WBD 700-E2 G1/4

Technical data

Min. pressure	0 bar
Return force to min. height	≤ 500 N
Overall weight with clamped plates	9.5 kg

Pneumatic application - static characteristic values

Force F [kN]

Pressure p	[bar]	3	4	5	6	7	8	Vol.[l]
Height H [mm]	380	17.7	23.8	30.0	36.4	42.9	49.1	31.0
	300	21.3	28.4	36.1	43.4	50.7	58.0	25.4
	220	24.3	32.3	40.4	48.5	56.6	64.6	19.4
	140	27.3	36.3	45.4	54.5	63.4	72.0	12.4



Service instructions

M8 = 25 Nm
G 1/4 = 25 Nm
G 1 = 50 Nm