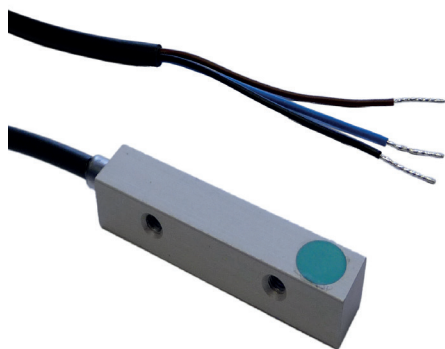
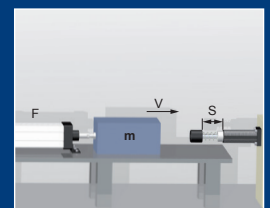


Proximity switch

N30



ONLINE
Calculation and
2D / 3D CAD Download



TECHNICAL DATA

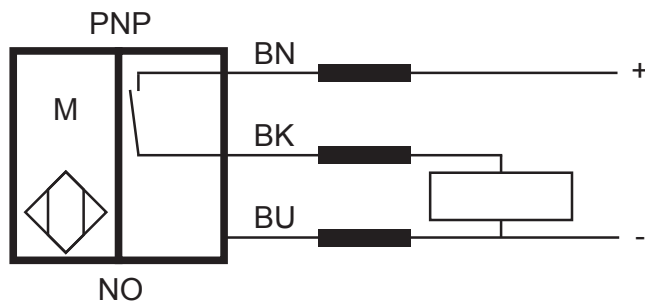
Inductive proximity switch

Order-No. **N30**

output	PNP-No
rated operating distance S_n /mounting	1,5 mm / flush
assured operating distance S_a	$\leq 1,2$ mm
real switching distance S_r /standard target $St37$	1,35 - 1,65 mm
reduction factors, dependent on alloy	M_s 0,45 x S_n / Al 0,4 x S_n / Cu 0,3 x S_n
repeat accuracy R	$\leq 0,1$ x S_r
differential travel H	1 - 20%
supply voltage U_B	10 - 30V DC
no-load supply current I_o	≤ 10 mA
rated operational current I_e	max. 150 mA
voltage drop U_d	$\leq 3,5$ V at $I_e = 150$ mA
switching frequency f	max. 2000Hz
operating temperature range	-25°C - +70°C
short circuit protection/ at current	clocking /min. 180 mA
norm conformity / EMC	EN 60947-5-2
reverse polarity protection	<input checked="" type="checkbox"/>
dielectric test voltage ac (rms.) U_i	500 V
degree of protection acc, to DIN 60 529	IP67
on/off indication	LED
connection	2m PVC-cable 3 x 0,14mm ²
housing material	aluminium
fixing torque	max. --- Nm



CIRCUIT DIAGRAM



DIMENSIONS

